



VARVEL®

MOTION CONTROL SINCE 1955

technology made in Italy



IT
EN
DE



VARfire

by VARVEL



Tecnologia Made in Italy

IT

Dal 1955 il Gruppo Varvel progetta e realizza riduttori e variatori per applicazioni fisse di piccola e media potenza. Partner affidabile nella produzione e vendita di organi di trasmissione grazie a un elevato livello di servizio, offre anche soluzioni personalizzate operando nel rispetto dei valori dell'impresa socialmente responsabile. Modularità e flessibilità guidano la progettazione dei prodotti Varvel nella realizzazione di kit comuni a tutte le famiglie di riduttori, agevolando così l'attività di distributori e rivenditori che possono configurare in pochi minuti il prodotto richiesto dal singolo cliente.

Technology Made in Italy

EN

Since 1955 the Varvel Group has been making gearboxes and variators for light industry applications. Reliable partner in power transmission equipment offers also customized solutions always according to a socially responsible company values. Modularity and flexibility lead Varvel products by a unique kit form, common to all gearbox series. This feature allows distributors an easier job to set up required products in few minutes.

Technologie Made in Italy

DE

Seit 1955 plant und stellt die Varvel-Gruppe Getriebe und Verstellgetriebe für feste Kleinleistungsanwendungen her. Dank dem hohen Dienstniveau ist Varvel ein zuverlässiger Partner für Herstellung und Verkauf von Getriebewerkteilen und bietet maßgeschneiderte Lösungen an, in Verbindung mit sozialverträglicher Handlungsweise. Modularität und Flexibilität sind Kennzeichen für Varvel-Produkte. Die Firma produziert Teile, die sich für alle Getriebetypen eignen. Verteiler und Verkäufer können somit den Kundenanforderungen gerecht werden.



- UNI EN ISO 9001:2008
- UNI EN ISO 14001:2004
- BS OHSAS 18001:2007






- EC DIRECTIVE 2014/34/EU (ATEX)



RIDUTTORI
 per sistemi di riscaldamento
GEARBOXES
 for heating systems
GETRIEBE
 für heizung Systeme



INDICE		CONTENTS		INDEX	
Riduttori ad assi paralleli RB		RB parallel shaft gearboxes		Flachgetriebe RB	
Caratteristiche principali.....	4	Main features.....	4	Hauptmerkmale.....	4
Designazione.....	5	Designation.....	5	Bezeichnungen.....	5
Dati tecnici.....	5	Technical data.....	5	Technische Daten.....	5
Dimensioni.....	6	Dimensions.....	6	Abmessungen.....	6
Riduttori ad assi paralleli RN		RN parallel shaft gearboxes		Flachgetriebe RN	
Caratteristiche principali.....	8	Main features.....	8	Hauptmerkmale.....	8
Designazione.....	8	Designation.....	8	Bezeichnungen.....	8
Dati tecnici.....	9	Technical data.....	9	Technische Daten.....	9
Dimensioni.....	11	Dimensions.....	11	Abmessungen.....	11
Riduttori a vite senza fine RS-RT		RS-RT Worm gearboxes		Schneckengetriebe RS-RT	
Caratteristiche principali.....	14	Main features.....	14	Hauptmerkmale.....	14
Designazione.....	14	Designation.....	14	Bezeichnungen.....	14
Dati tecnici.....	15	Technical data.....	15	Technische Daten.....	15
Dimensioni.....	19	Dimensions.....	19	Abmessungen.....	19
Riduttori ad ingranaggi RD		RD Helical gearboxes		Stirnradgetriebe RD	
Caratteristiche principali.....	26	Main features.....	26	Hauptmerkmale.....	26
Designazione.....	26	Designation.....	26	Bezeichnungen.....	26
Dati tecnici.....	27	Technical data.....	27	Technische Daten.....	27
Dimensioni.....	29	Dimensions.....	29	Abmessungen.....	29
Motori.....	31	Motors.....	31	Motoren.....	31
Giunto elastico "G".....	32	Elastic coupling "G".....	32	Elastische Kupplung "G".....	32

RB

**RIDUTTORI AD ASSI PARALLELI
PARALLEL SHAFT GEARBOXES
FLACHGETRIEBE**



RB Riduttori - Gearboxes - Getriebe

Caratteristiche principali - Main features - Hauptmerkmale

I motoriduttori della serie **RB** vengono utilizzati per l'alimentazione automatica dei bruciatori:

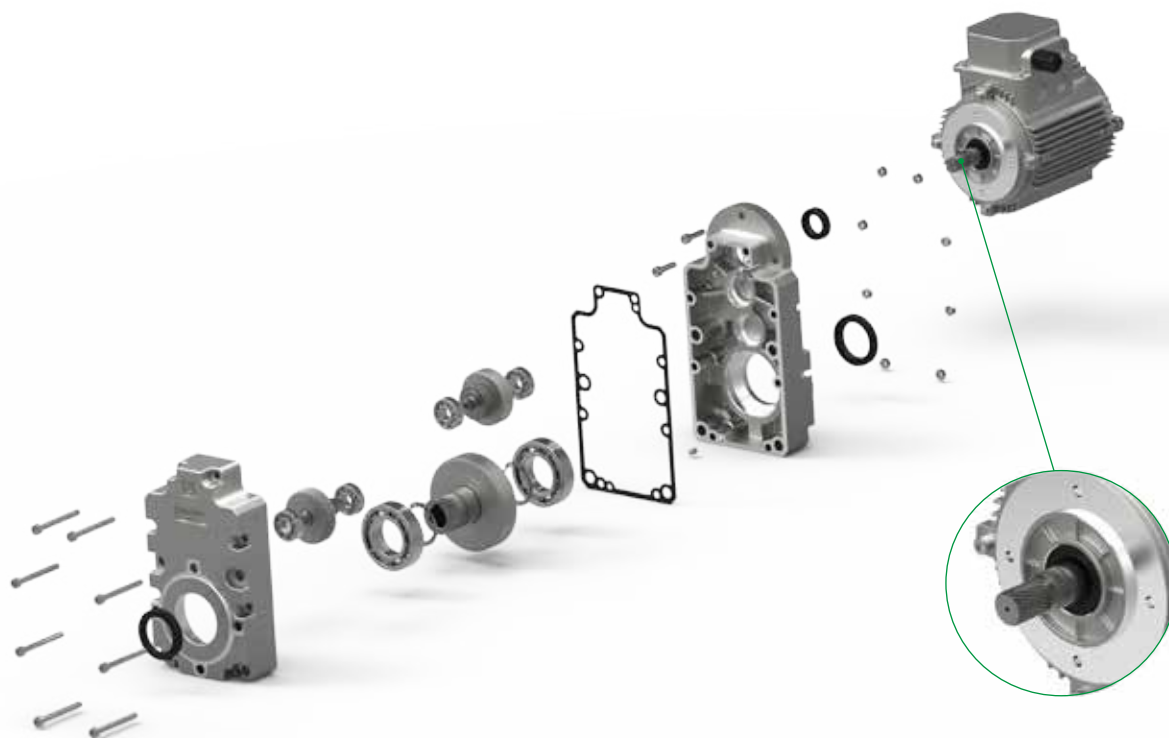
- Riduttore ad assi paralleli.
- Tre coppie di ingranaggi in linea.
- Carcassa in due semigusci di alluminio pressofuso e flangia attacco motore integrale IEC56/B14.
- Motorizzazioni nelle potenze 0.04, 0.06, 0.09 e 0.12 kW, 4 poli monofase a 1400 rpm, senza ventola di raffreddamento.
- Velocità in uscita da 35 a 5 rpm (da $i = 40$ a $i = 270$).
- 10000 ore di vita utile calcolata con fattore di servizio SF 1.
- Lubrificazione ad olio sintetico a lunga durata con gradazione ISO VG320.
- Alberi di uscita disponibili nei diametri $\varnothing 17$, $\varnothing 18$ e $\varnothing 20$ mm con sede per linguetta unificata e $\varnothing 25$ mm senza linguetta.
- Fissaggio standard tramite 4 fori passanti $\varnothing 8.5$ mm o, a richiesta, mediante flange uscita della serie RS-RT.
- Albero motore con pignone integrato per la migliore silenziosità.

The **RB** geared motors are used in automatic feeding of oil burners:

- Parallel shaft design.
- Three in-line gear sets.
- Aluminium die cast housing in two robust shells and IEC56/B14 integral motor adapter.
- Geared motors of 0.04, 0.06, 0.09, and 0.12 kW powers, 4 poles, single phase, 1400 rpm @ 50 Hz, without cooling fan.
- Output speed from 35 down to 5 rpm (ratios from $i = 40$ to $i = 270$).
- 10000 hours lifetime calculated with service factor SF1.
- Long-life synthetic oil lubrication with ISO VG320 grade.
- Output shaft diameters $\varnothing 17$, $\varnothing 18$ and $\varnothing 20$ mm with key/keyway arrangement, and $\varnothing 25$ mm without keyway.
- Standard mounting with 4 throughout holes $\varnothing 8.5$ mm or with flanges of the series RS-RT, on demand.
- Motor shaft with integral pinion to the highest quietness.

Die Getriebemotoren der Serie **RB** werden für die automatische Zuführung von Heizbrennern verwendet:

- Parallelwellenkonstruktion.
- Drei in-line Radsätze.
- Aluminium-Druckgussgehäuse aus zwei robusten Halbschalen und integriertem Motorflansch IEC56/B14.
- Motorleistungen mit 0.04, 0.06, 0.09 und 0.12 kW, 4-polig, einphasig, 1400 min bei 50 Hz, unbelüftet.
- Abtriebsdrehzahl von 35 bis 5 Umdrehungen pro Minute (von $i = 40$ bis $i = 270$).
- Lebensdauerberechnung von 10.000 Stunden mit Betriebsfaktor von SF1.
- Synthetisches Getriebeöl ISO VG320 als Langzeitschmierung.
- Ausgangswellendurchmesser $\varnothing 17$, $\varnothing 18$ und $\varnothing 20$ mm in Nut-/Passfeder und $\varnothing 25$ mm glatte Ausführung.
- Standardmontage mit 4 Bohrungen $\varnothing 8,5$ mm oder, bei Bedarf, mit Flansch der Serie RS-RT.
- Motorwelle mit eingebauten Ritzel zur Verbesserung des Geräuschlärm.



Getriebe - Gearboxes - Riduttori RB

Hauptmerkmale - Main features - Caratteristiche principali

Designazione - Designation - Bezeichnungen

M	RB	1	3	/B3	40	AC18	MM	0.06 kW	4	230/50	IP/55	F	X3
M	RB	1	3	B3 F/T FL/T FV/T FA/S FL/S	40 270	AC17 AC18 AC20 AC25	MM	0.04 0.06 0.09 0.12	4	230/50	IP/55	X1 X2 X3 X4	
Posizione morsetti - Terminal box position - Klemmkastenposition Classe d'isolamento - Insulation class - Isolationsklasse Class F (std) Grado di protezione - Protection class - Schutzart IP55 (std) Tensione/frequenza - Voltage/frequency - Spannung/Frequenz Numero poli - Number of poles - Polzahl Potenza motore - Motor power - Motorleistung Motore elettrico monofase - Singlephase Motor - Einphasenmotor Dimensione albero uscita - Dimensions output shaft - Größe Abtriebswelle Rapporto di riduzione - Reduction ratio - Untersetzungsverhältnis Forma costruttiva riduttore - Gearbox form - Bauform des Getriebes Numero coppie di riduzione - Number of reduction stages - Anzahl der Getrebestufen Grandezza del riduttore - Gearbox size - Getriebegröße Tipo di riduttore - Gearbox type - Getriebetyp Motoriduttore - Geared Motor - Getriebemotor													

Dati tecnici - Technical data - Technische Daten

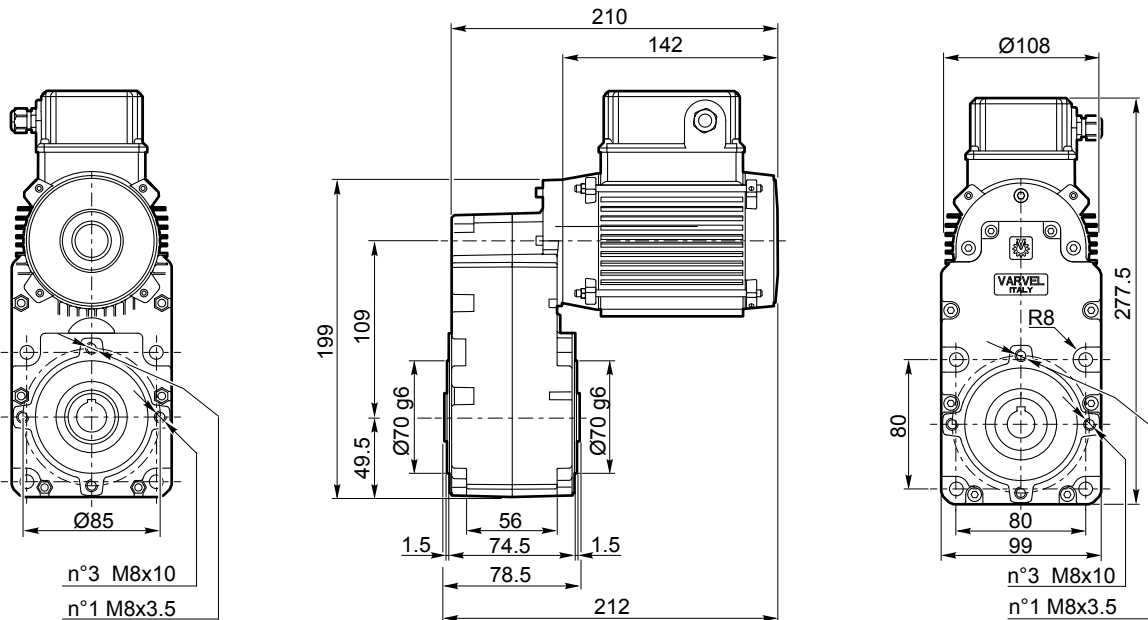
P_1 [kW]	Tipo riduttore Gearbox type Getriebe Typ	i_n	n_2 [rpm]	M_2 [Nm]	SF
0.04	RB13	41.4	33.8	11	5.7
	RB13	69.1	20.3	18	3.4
	RB13	83.4	16.8	21	2.8
	RB13	88.9	15.7	23	2.6
	RB13	109.9	12.7	28	2.1
	RB13	118.3	11.8	30	2.0
	RB13	140.7	9.9	36	1.7
	RB13	178.0	7.9	46	1.3
	RB13	221.3	6.3	57	1.1
	RB13	254.2	5.5	65	0.9
0.06	RB13	41.4	33.8	16	3.8
	RB13	69.1	20.3	27	2.3
	RB13	83.4	16.8	32	1.9
	RB13	88.9	15.7	34	1.8
	RB13	109.9	12.7	42	1.4
	RB13	118.3	11.8	46	1.3
	RB13	140.7	9.9	54	1.1
	RB13	178.0	7.9	68	0.9
	RB13	221.3	6.3	85	0.7
	RB13	254.2	5.5	98	0.6
RB13	271.2	5.2	104	0.6	

P_1 [kW]	Tipo riduttore Gearbox type Getriebe Typ	i_n	n_2 [rpm]	M_2 [Nm]	SF
0.09	RB13	41.4	33.8	24	2.5
	RB13	69.1	20.3	40	1.5
	RB13	83.4	16.8	48	1.2
	RB13	88.9	15.7	51	1.2
	RB13	109.9	12.7	63	0.9
	RB13	118.3	11.8	68	0.9
	RB13	140.7	9.9	81	0.7
	RB13	178.0	7.9	103	0.6
0.12	RB13	41.4	33.8	32	1.9
	RB13	69.1	20.3	53	1.1
	RB13	83.4	16.8	64	0.9
	RB13	88.9	15.7	68	0.9
	RB13	109.9	12.7	85	0.7
RB13	118.3	11.8	91	0.7	
RB13	140.7	9.9	108	0.6	

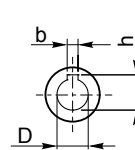
P_1 [kW]	Tipo motore Motor type Motoren Typ	rpm	Hz
0.04 0.06 0.09 0.12	IEC56	1400	50

RB Riduttori - Gearboxes - Getriebe

Dimensioni - Dimensions - Abmessungen

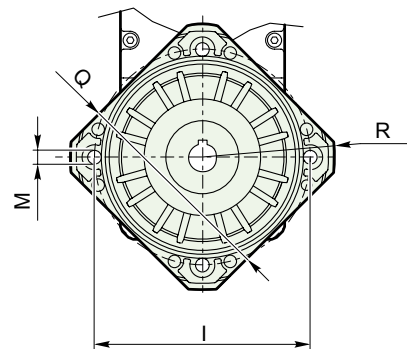
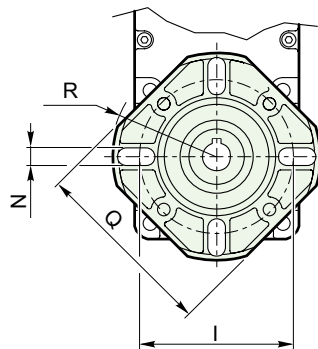
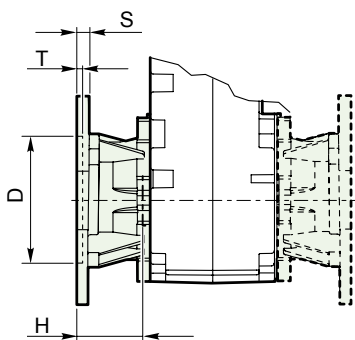


Albero di uscita Output shaft Abtriebswellen	D H8 [mm]	b H9 [mm]	h [mm]
AC17	17	5	19.3
AC18	18	6	20.7
AC20	20	6	21.7
AC25	25	---	---



F/T - FL/T - FA/S

FV/T - FL/S



Flangia di uscita Output flange Abtriebsflansch	D [mm]	H [mm]	T [mm]	S [mm]	N [mm]	M [mm]	Q [mm]	I [mm]	R [mm]
F/T	$\varnothing 70$	44.5	5	9	11 (n°4)	---	$\square 110$	85÷109	$\varnothing 125$
FL/T	$\varnothing 70$	74.5	5	9	9 (n°4)	---	$\square 110$	85÷109	$\varnothing 125$
FV/T	$\varnothing 110$	42	11	13	---	$\varnothing 9$ (n°4)	$\square 125$	$\varnothing 130$	$\varnothing 160$
FA/S	$\varnothing 70$	42	5	7	11 (n°4)	---	$\square 110$	85÷109	$\varnothing 125$
FL/S	$\varnothing 110$	40.5	10	11.5	---	$\varnothing 9$ (n°4)	$\square 125$	$\varnothing 130$	$\varnothing 160$

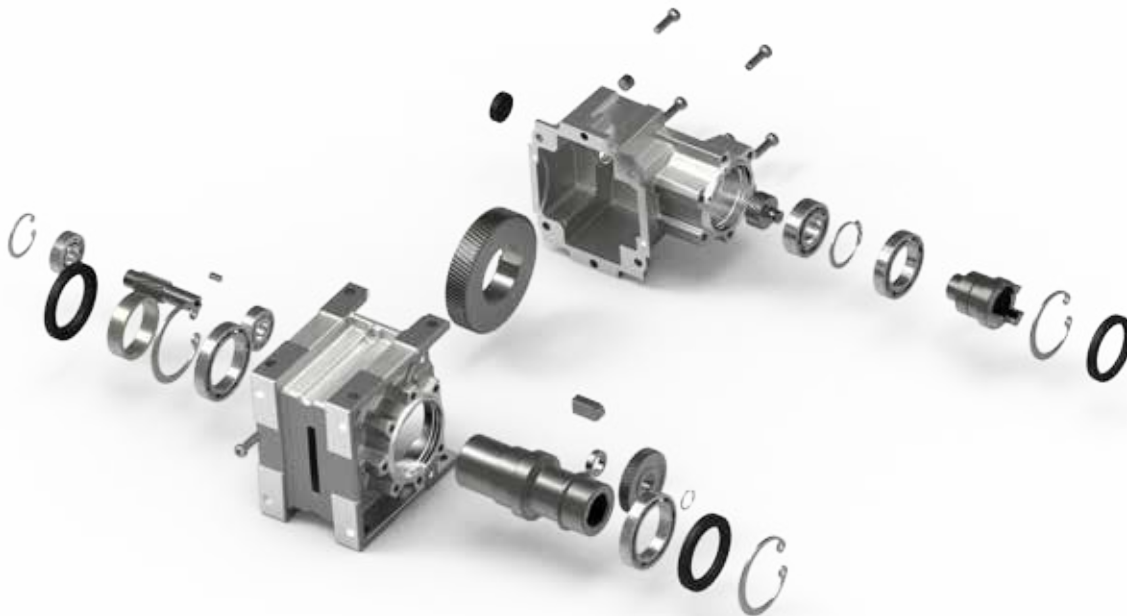
RN

**RIDUTTORI AD ASSI PARALLELI
PARALLEL SHAFT GEARBOXES
FLACHGETRIEBE**



RN Riduttori - Gearboxes - Getriebe

Caratteristiche principali - Main features - Hauptmerkmale



Designazione - Designation - Bezeichnungen

F	RN	1	3	/B3	H	40	IEC71	B14	AC30	DFU200
M	RN	1	2	B3	H	6.3	56	B5	AC25	
F		2	3	B5	V	..	63	B14	AC30	
S		3				..	71		AC35	
..						..	80		AC40	
						..	90		AC50	
						710	100		AC60	
							112		AC70	
							132			
							160			
							180			

Flangia di uscita \varnothing - Output flange \varnothing - Ausgangsflansch \varnothing

Albero di uscita \varnothing - Output shaft \varnothing - Ausgangswelle \varnothing

Forma motore elettrico - Motor size - Motorbauform

Grandezza IEC motore elettrico - IEC motor size - IEC Motorbaugröße

Rapporto di riduzione - Reduction ratio - Getriebeübersetzung

Forma di montaggio riduttore - Gearbox mounting position - Einbaulage des Getriebes

Forma costruttiva riduttore - Gearbox form - Bauform des Getriebes

Numero coppie di riduzione - Number of reduction stages - Anzahl der Getrebestufen

Grandezza del riduttore - Gearbox size - Getriebegröße

Tipo di riduttore - Gearbox type - Getriebetyp

M = Motorriduttore - Geared Motor - Getriebemotor

F = Riduttore con flangia di entrata - Gearbox with input flange - Getriebe mit Eingangsflansch

S = Riduttore senza flangia di entrata - Gearbox without input flange - Getriebe ohne Eingangsflansch

.. = Riduttore con albero di entrata sporgente - Gearbox with input free shaft - Getriebe mit freie Eingangswelle

Getriebe - Gearboxes - Riduttori RN

Technische Daten - Technical data - Dati tecnici

RN	1			2			3		
	i_n	n_2 [rpm]	P_1 [kW]	M_2 [Nm]	n_2 [rpm]	P_1 [kW]	M_2 [Nm]	n_2 [rpm]	P_1 [kW]
6.3	---	---	---	243	5.1	190	250	10.9	400
7.1	212	2.9	125	19	4.6	215	195	9.2	430
8.0	176	2.5	130	179	4.4	220	177	7.1	370
9.0	168	2.6	140	154	4.1	240	158	8.3	480
10.0	138	2.3	150	140	3.6	230	138	5.7	380
11.2	---	---	---	124	3.6	260	127	7.3	530
12.5	115	1.6	130	114	2.9	230	112	4.6	380
14.0	106	1.9	165	96.5	3.2	300	98.8	5.8	540
16.0	88.2	1.3	140	91.2	2.3	230	89.6	3.8	390
18.0	84.1	1.5	165	78.4	2.7	310	74.3	4.5	550
20.0	69	1.3	170	71.2	1.8	230	69.9	3.0	390
22.4	55.2	1.0	170	61.8	2.1	310	63.1	3.8	550
25.0	---	---	---	57.8	1.5	240	52.6	2.3	400
28.0	---	---	---	47.8	1.4	265	48.4	2.9	540
31.5	45.8	0.70	140	45.6	1.2	240	44.7	1.9	400
33.0	42.4	0.74	160	---	---	---	---	---	---
35.5	38.4	0.59	140	40.6	0.99	220	40.6	2.0	450
40	35.2	0.54	140	35.2	0.94	240	34.3	1.6	420
45	31.8	0.49	140	29.9	0.82	245	29.5	1.0	320
50	28.6	0.44	140	27.3	0.75	245	28.7	1.3	420
56	26.9	0.32	110	---	---	---	26.0	1.2	420
60	22.3	0.29	120	---	---	---	---	---	---
63	---	---	---	22.3	0.62	250	20.9	0.96	420
40	35.4	0.57	145	38.5	1.07	250	39.0	2.1	490
45	---	---	---	31.3	0.94	270	31.7	1.9	550
50	29.1	0.50	155	---	---	---	---	---	---
56	---	---	---	25.0	0.86	310	25.3	1.6	580
63	22.4	0.42	170	---	---	---	---	---	---
71	---	---	---	19.6	0.68	310	19.8	1.3	580
80	17.7	0.35	180	17.7	0.28	140	17.4	0.51	265
90	---	---	---	15.9	0.55	310	14.9	0.96	580
100	14.5	0.29	180	13.9	0.28	180	13.5	0.51	340
112	---	---	---	12.5	0.43	310	12.6	0.82	580
125	11.6	0.23	180	11.3	0.28	220	11.0	0.51	420
140	---	---	---	9.68	0.29	265	9.68	0.63	580
160	8.93	0.17	175	9.00	0.26	260	8.78	0.42	430
180	8.08	0.14	150	7.51	0.17	200	8.12	0.43	480
200	6.87	0.11	150	7.03	0.20	260	6.85	0.33	430
224	---	---	---	6.14	0.12	170	5.89	0.21	320
250	5.28	0.09	150	5.71	0.17	260	---	---	---
280	4.78	0.08	150	---	---	---	5.16	0.25	430
315	4.29	0.07	150	4.50	0.13	260	4.38	0.21	430
355	---	---	---	---	---	---	---	---	---
400	3.35	0.04	120	3.48	0.10	260	3.36	0.16	430
450	---	---	---	2.96	0.09	260	---	---	---
500	---	---	---	2.70	0.08	260	2.82	0.13	430
560	---	---	---	---	---	---	2.55	0.12	430
630	---	---	---	2.21	0.06	230	---	---	---
710	---	---	---	---	---	---	2.05	0.10	430

 due coppie di riduzione - two-stage reduction ratios - zweistufige
 tre coppie di riduzione - three-stage reduction ratios - dreistufige

RN Riduttori - Gearboxes - Getriebe

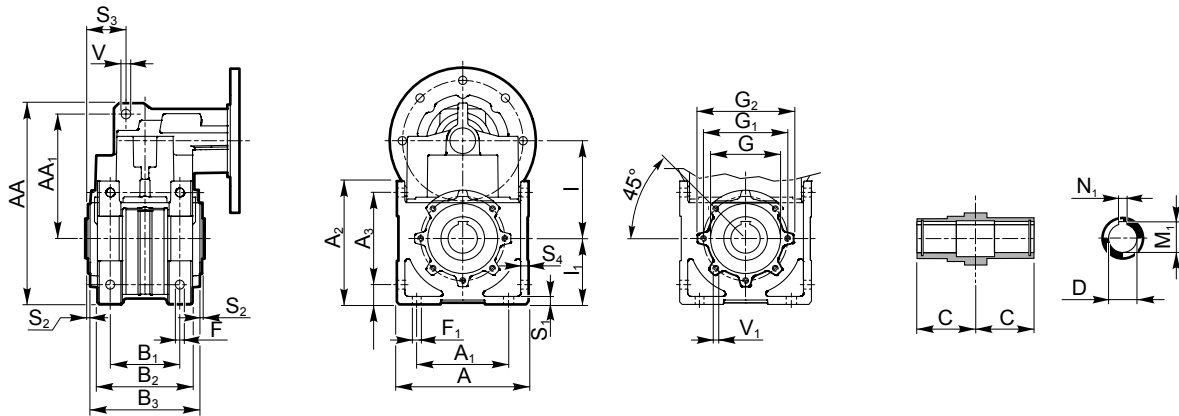
Dati tecnici - Technical data - Technische Daten

RN	4			5			6			
	i_n	n_2 [rpm]	P_1 [kW]	M_2 [Nm]	n_2 [rpm]	P_1 [kW]	M_2 [Nm]	n_2 [rpm]	P_1 [kW]	M_2 [Nm]
6.3		244	18.1	680	248	29.8	1100	250	60.1	2200
7.1		193	16.6	790	188	25.8	1260	189	53.7	2600
8.0		185	13.9	690	183	22.7	1140	176	42.1	2200
9.0		154	15.0	890	148	22.6	1400	149	47.2	2900
10.0		146	11.0	690	138	17.3	1150	133	31.9	2200
11.2		121	12.0	910	122	20.7	1550	123	41.7	3100
12.5		117	8.9	700	109	13.9	1170	---	---	---
14.0		99.3	10.0	920	99.2	17.4	1610	100	34.5	3160
16.0		91.7	7.1	710	90.0	11.6	1180	86.4	21.2	2250
18.0		79.6	8.1	930	78.4	13.9	1630	79.1	27.6	3200
20.0		---	---	---	73.0	9.5	1190	70.1	17.4	2270
22.4		61.7	6.3	940	59.7	10.7	1650	60.2	21.3	3250
25.0		---	---	---	57.7	7.6	1200	55.5	18.2	3000
28.0		49.5	4.8	890	50.8	9.3	1670	50.6	18.0	3270
31.5		46.7	3.7	730	46.6	8.1	1590	46.1	15.6	3105
33.0		---	---	---	---	---	---	---	---	---
35.5		37.4	3.0	740	38.6	5.5	1300	37.5	10.3	2515
40		36.7	2.6	650	34.3	4.7	1250	35.5	12.5	3245
45		30.9	2.5	750	30.8	3.7	1100	32.3	8.3	2360
50		27.8	2.3	750	28.4	4.0	1300	26.3	6.8	2380
56		24.7	1.9	700	---	---	---	23.4	6.1	2400
60		---	---	---	---	---	---	---	---	---
63		---	---	---	22.7	3.2	1300	---	---	---
40		41.1	3.3	730	37.6	6.9	1650	36.7	13.3	3250
45		32.9	3.3	910	29.6	5.6	1710	---	---	---
50		---	---	---	---	---	---	28.9	10.9	3400
56		25.8	2.8	980	24.4	4.8	1750	23.9	9.0	3400
63		21.2	2.3	990	---	---	---	---	---	---
71		19.8	0.90	410	19.8	3.9	1750	19.4	7.3	3400
80		17.0	1.9	1000	---	---	---	17.6	3.5	1780
90		15.6	0.89	510	15.7	3.1	1770	15.3	5.8	3400
100		13.1	1.5	1010	14.6	1.9	1160	13.3	3.5	2350
112		---	---	---	11.9	2.4	1790	---	---	---
125		---	---	---	11.5	1.7	1310	11.7	4.4	3400
140		10.6	1.1	950	10.2	2.0	1800	9.78	3.7	3400
160		8.71	0.74	760	9.33	1.8	1700	8.92	3.3	3300
180		8.05	0.72	800	7.71	1.2	1360	---	---	---
200		6.96	0.43	550	---	---	---	7.25	2.2	2700
224		6.45	0.57	800	6.11	0.92	1350	6.45	1.7	2300
250		---	---	---	---	---	---	5.55	1.6	2600
280		5.00	0.45	800	---	---	---	---	---	---
315		---	---	---	4.65	0.70	1350	4.22	1.2	2600
355		4.01	0.36	800	3.96	0.60	1350	---	---	---
400		---	---	---	3.63	0.55	1350	3.55	1.0	2600
450		3.31	0.30	800	3.00	0.45	1350	3.23	0.94	2600
500		2.98	0.27	800	---	---	---	2.63	0.76	2600
560		2.65	0.24	800	2.40	0.36	1350	2.34	0.68	2600
630		---	---	---	---	---	---	---	---	---
710		---	---	---	---	---	---	---	---	---

due coppie di riduzione - two-stage reduction ratios - zweistufige
tre coppie di riduzione - three-stage reduction ratios - dreistufige

Getriebe - Gearboxes - Riduttori RN

Abmessungen - Dimensions - Dimensioni

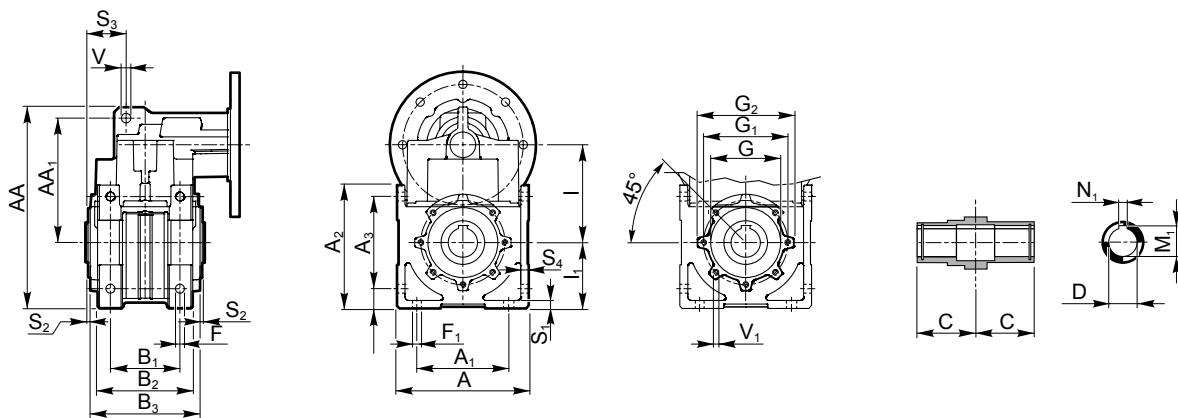


RN [mm]	12	13	22	23	32	33
A		140		160		180
A₁		100		120		126
A₂		130		150		170
A₃		100		120		126
AA		210		255		290
AA₁		120		160		170
B₁		75		90		95
B₂		92		105		130
B₃		110		130		150
C		60		70		80
F		10		10		12
F₁		10		10		12
G f7		70		80		95
G₁		85		95		115
G₂		100		110		130
I		90.2		108		133.5
I₁		70		80		90
S₁		8		9		10
S₂		3		3		3
S₃		43		49		54
S₄		8		9		10
Albero di uscita Output shaft Abtriebswellen		AC25 AC30		AC30 AC35		AC35 AC40

Albero di uscita Output shaft Abtriebswellen [mm]	AC25	AC30	AC35	AC40
D H7	25	30	35	40
N₁ H9	8	8	10	12
M₁	28.3	33.3	38.3	43.3

RN Riduttori - Gearboxes - Getriebe

Dimensioni - Dimensions - Abmessungen



RN [mm]	42	43	52	53	62	63
A		224		280		330
A₁		160		205		245
A₂		210		265		310
A₃		160		205		245
AA		325		430		500
AA₁		200		250		300
B₁		120		150		195
B₂		155		185		235
B₃		175		210		233
C		93		114		125
F		14		16		18
F₁		14		16		18
G f7		110		130		180
G₁		130		165		215
G₂		160		200		250
I		153.5		186.8		235.8
I₁		112		140		165
S₁		13		14		16
S₂		3		4.5		4.5
S₃		60		75		75
S₄		13		14		16
Albero di uscita Output shaft Abtriebswellen		AC40 AC45 AC50		AC50 AC55 AC60		AC60 AC65 AC70

Albero di uscita Output shaft Abtriebswellen [mm]	AC40	AC45	AC50	AC55	AC60	AC65	AC70
D H7	40	45	50	55	60	65	70
N₁ H9	12	14	14	16	18	20	20
M₁	43.3	48.8	53.8	59.3	64.4	69.9	74.9

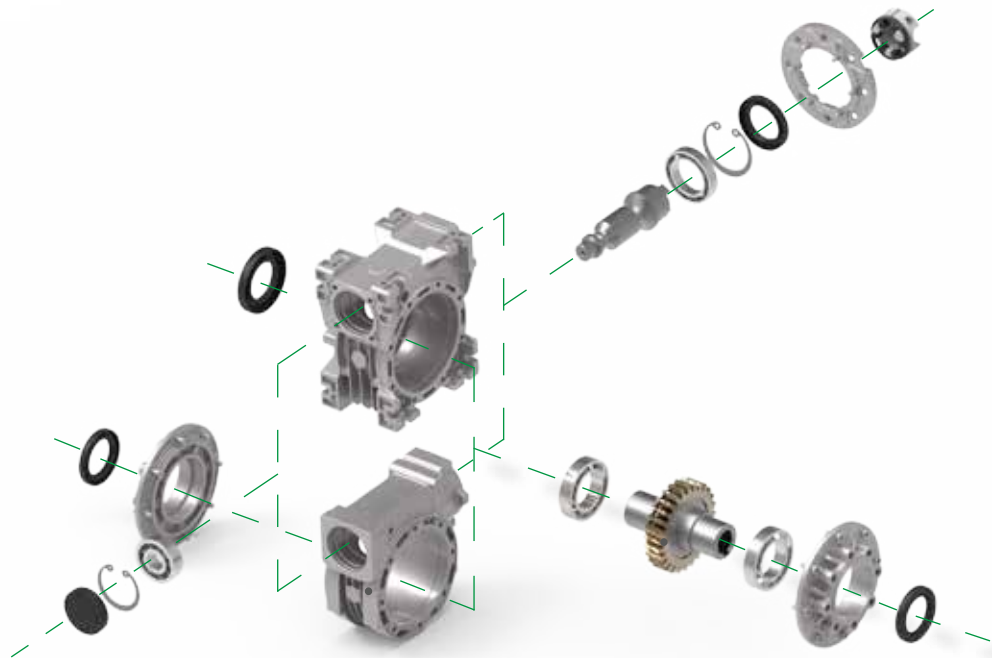
RS - RT

RIDUTTORI A VITE SENZA FINE
WORM GEARBOXES
SCHNECKENGETRIEBE



RS-RT Riduttori - Gearboxes - Getriebe

Caratteristiche principali - Main features - Hauptmerkmale



Designazione - Designation - Bezeichnungen

F	RS-G	..	/ 40	PC	28	IEC71	B14
M	RS-G	63	28	28	S	5	56
F	RA	71	40	40	I	..	63
S	RS/RS-G	80	50	50	D	..	71
..	RT-G	100	60	60	PC	..	80
	TA		70	70	FL	10000	90
	RT/RT-G			85	B3		100
				110	F		112
				130			132
				150			160

Forma motore elettrico - Motor size - Motorbauform

Grandezza IEC motore elettrico - IEC motor size - IEC Motorbaugröße

Rapporto di riduzione - Reduction ratio - Getriebeübersetzung

Forma costruttiva riduttore - Gearbox form - Bauform des Getriebes

Grandezza 2° riduttore - 2nd worm gearbox size - Getriebegröße

Grandezza 1° riduttore - 1st worm gearbox size - Baugröße der 1. Getriebestufe

Grandezza precoppia - Helical stage size - Baugröße der Stirnradvorstufe (XA)

Tipo di riduttore - Gearbox type - Getriebetyp

M = Motorriduttore - Geared Motor - Getriebemotor

F = Riduttore con flangia di entrata - Gearbox with input flange - Getriebe mit Eingangsflansch

S = Riduttore senza flangia di entrata - Gearbox without input flange - Getriebe ohne Eingangsflansch

.. = Riduttore con albero di entrata sporgente - Gearbox with input free shaft - Getriebe mit freie Eingangswelle

Getriebe - Gearboxes - Riduttori RS-RT

 $n_1 = 1400 \text{ rpm}$

Technische Daten - Technical data - Dati tecnici

P_1 [kW]	Tipo riduttore Gearbox type Getriebe Typ	i_n	n_2 [rpm]	M_2 [Nm]	SF	
0.06	MRS-MRT 28	7	200	2,4	>3	
	MRS-MRT 28	10	140	3,3	>3	
	MRS-MRT 28	15	93	4,7	>3	
	MRS-MRT 28	20	70	6,1	2,6	
	MRS-MRT 28	28	50	7,6	2,6	
	MRS-MRT 28	40	35	10	1,7	
	MRA-MTA 63/40	44	32	14	>3	
	MRS-MRT 28	49	29	11	1,5	
	MRS-MRT 28	56	25	12	1,3	
	MRA-MTA 63/40	63	22	19	>3	
	MRS-MRT 28	70	20	13	0,9	
	MRS-MRT 40	80	18	16	2,0	
	MRA-MTA 63/40	95	15	26	2,8	
	MRS-MRT 40	100	14	19	1,5	
	MRA-MTA 63/40	126	11	31	2,0	
	MRS-MRT 28 / 28	150	9,3	31	1,1	
	MRA-MTA 63/40	176	8,0	37	1,8	
	MRS-MRT 28 / 28	200	7,0	30	0,8	
	MRA-MTA 63/40	252	5,5	46	1,4	
	MRS-MRT 28 / 28	280	5,0	35	0,8	
	MRA-MTA 63/40	309	4,6	54	1,0	
	MRA-MTA 63/40	353	4,0	56	1,0	
	MRS-MRT 28 / 40	420	3,3	67	1,3	
	MRA-MTA 63/50	441	3,2	65	1,4	
	MRA-MTA 63/50	504	2,8	74	1,2	
	MRS-MRT 28 / 40	560	2,5	85	1,0	
	MRA-MTA 63/50	630	2,2	80	0,9	
	MRS-MRT 28 / 50	784	1,8	106	1,5	
	MRS-MRT 28 / 50	1120	1,3	142	1,2	
	MRS-MRT 28 / 50	1560	0,9	160	1,0	
MRS-MRT 28 / 60	2240	0,6	211	1,2		
MRS-MRT 28 / 60	2800	0,5	241	0,9		
MRS-MRT 40 / 70	4000	0,4	360	1,0		
MRS-MRT 40 / 70	5600	0,3	458	0,7		
MRS-MRT 40 / 85	8000	0,2	557	0,7		
MRS-MRT 40 / 85	10000	0,1	614	0,4		
0.09	MRS-MRT 28	7	200	3,6	>3	
	MRS-MRT 28	10	140	5,0	>3	
	MRS-MRT 28	15	93	7,1	2,5	
	MRS-MRT 28	20	70	9,1	1,8	
	MRS-MRT 28	28	50	11	1,8	
	MRS-MRT 28	40	35	15	1,1	
	MRA-MTA 63/40	44	32	21	>3	
	MRS-MRT 28	49	29	17	1,0	
	MRS-MRT 40	56	25	20	2,1	
	MRA-MTA 63/40	63	22	28	2,8	
	MRS-MRT 40	70	20	22	1,6	
	MRS-MRT 40	80	18	25	1,3	
	MRA-MTA 63/40	95	15	39	1,9	
	0.09	MRS-MRT 40	100	14	19	1,5
		MRA-MTA 63/40	126	11	31	2,0
		MRS-MRT 28 / 28	150	9,3	31	1,1
		MRA-MTA 63/40	176	8,0	37	1,8
		MRS-MRT 28 / 28	200	7,0	30	0,8
		MRA-MTA 63/40	252	5,5	46	1,4
		MRS-MRT 28 / 28	280	5,0	35	0,8
MRA-MTA 63/40		309	4,6	54	1,0	
MRA-MTA 63/40		353	4,0	56	1,0	
MRS-MRT 28 / 40		420	3,3	67	1,3	
MRA-MTA 63/50		441	3,2	65	1,4	
MRA-MTA 63/50		504	2,8	74	1,2	
MRS-MRT 28 / 40		560	2,5	85	1,0	
MRA-MTA 63/50		630	2,2	80	0,9	
MRS-MRT 28 / 50		784	1,8	106	1,5	
MRS-MRT 28 / 50		1120	1,3	142	1,2	
MRS-MRT 28 / 50		1560	0,9	160	1,0	
MRS-MRT 28 / 60		2240	0,6	211	1,2	
MRS-MRT 28 / 60		2800	0,5	241	0,9	
MRS-MRT 40 / 70		4000	0,4	360	1,0	
MRS-MRT 40 / 70	5600	0,3	458	0,7		
MRS-MRT 40 / 85	8000	0,2	557	0,7		
MRS-MRT 40 / 85	10000	0,1	614	0,4		
0.12	MRS-MRT 28	7	200	4,8	>3	
	MRS-MRT 28	10	140	6,6	2,7	
	MRS-MRT 28	15	93	9,5	1,9	
	MRS-MRT 28	20	70	12	1,3	
	MRS-MRT 28	28	50	15	1,3	
	MRS-MRT 40	40	35	20	2,1	
	MRA-MTA 63/40	44	32	27	2,9	
	MRS-MRT 40	49	29	23	1,8	
	MRS-MRT 40	56	25	26	1,5	
	MRA-MTA 63/40	63	22	37	2,1	
	MRS-MRT 40	70	20	30	1,2	
	MRS-MRT 40	80	18	33	1,0	
	MRA-MTA 63/40	95	15	52	1,4	
	MRS-MRT 50	100	14	38	1,1	
	MRA-MTA 63/40	126	11	62	1,0	
	MRS-MRT 28 / 40	150	9,3	64	1,4	
	MRA-MTA 63/40	176	8,0	75	0,9	
	MRS-MRT 28 / 40	200	7,0	77	1,0	
	MRA-MTA 63/50	252	5,5	99	1,2	
	MRS-MRT 28 / 40	280	5,0	94	0,8	
MRA-MTA 63/50	309	4,6	114	0,9		
MRS-MRT 28 / 50	420	3,3	134	1,2		
MRS-MRT 28 / 50	560	2,5	170	0,9		
MRS-MRT 28 / 60	784	1,8	225	1,1		
MRS-MRT 28 / 60	1120	1,3	303	0,8		
MRS-MRT 40 / 70	1568	0,9	385	1,0		
MRS-MRT 40 / 85	2240	0,6	513	1,2		
MRS-MRT 40 / 85	2800	0,5	596	1,0		
MRS-MRT 40 / 85	4000	0,4	753	0,8		

RS-RT Riduttori - Gearboxes - Getriebe

Dati tecnici - Technical data - Technische Daten

$n_1 = 1400 \text{ rpm}$

P_1 [kW]	Tipo riduttore Gearbox type Getriebe Typ	i_n	n_2 [rpm]	M_2 [Nm]	SF	P_1 [kW]	Tipo riduttore Gearbox type Getriebe Typ	i_n	n_2 [rpm]	M_2 [Nm]	SF
0.18	MRS-MRT 28	7	200	7.2	2.5	0.25	MRS-MRT 40 / 70	560	2.5	401	1.0
	MRS-MRT 28	10	140	9.9	1.8		MRS-MRT 40 / 85	784	1.8	535	1.1
	MRS-MRT 28	15	93	14	1.3		MRS-MRT 50 / 110	1120	1.3	707	1.8
	MRS-MRT 28	20	70	18	0.8		MRS-MRT 50 / 110	1568	0.9	882	1.5
	MRS-MRT 40	28	50	23	2.1		MRS-MRT 50 / 110	2240	0.6	1146	1.2
	MRS-MRT 40	40	35	30	1.4		MRS-MRT 50 / 110	2800	0.5	1289	0.9
	MRA-MTA 63/40	44	32	41	1.9	0.37	MRS-MRT 40	5	280	11	>3
	MRS-MRT 40	49	29	35	1.2		MRS-MRT 40	7	200	15	3.0
	MRS-MRT 40	56	25	39	1.0		MRS-MRT 40	10	140	21	2.2
	MRA-MTA 63/40	63	22	56	1.4		MRS-MRT 40	15	93	30	1.5
	MRS-MRT 50	70	20	46	1.4		MRS-MRT 40	20	70	38	1.0
	MRS-MRT 50	80	18	51	1.1		MRS-MRT 40	28	50	48	1.0
	MRA-MTA 63/40	95	15	78	0.9		MRS-MRT 50	40	35	65	1.1
	MRS-MRT 50	100	14	43	0.8		MRA-MTA 71/50	44	32	87	1.7
	MRA-MTA 63/50	126	11	97	1.2		MRS-MRT 50	49	29	77	1.0
	MRS-MRT 28 / 50	150	9.3	93	1.6		MRS-MRT 60	56	25	85	1.5
	MRA-MTA 63/50	176	8.0	119	1.2		MRA-MTA 71/50	63	22	118	1.1
	MRS-MRT 28 / 50	200	7.0	120	1.1		MRS-MRT 60	70	20	97	1.3
	MRS-MRT 28 / 50	280	5.0	141	1.1		MRS-MRT 60	80	18	107	1.0
	MRS-MRT 28 / 60	420	3.3	217	1.1		MRA-MTA 71/60	95	15	168	1.4
MRS-MRT 40 / 70	560	2.5	289	1.4	MRS-MRT 70	100	14	130	1.0		
MRS-MRT 40 / 70	784	1.8	366	1.1	MRA-MTA 71/60	126	11	213	1.1		
MRS-MRT 40 / 85	1120	1.3	481	1.3	MRS-MRT 40 / 70	150	9.3	217	2.1		
MRS-MRT 40 / 85	1568	0.9	616	1.0	MRA-MTA 71/60	176	8.0	253	0.9		
MRS-MRT 40 / 85	2240	0.6	770	0.8	MRS-MRT 40 / 70	200	7.0	278	1.3		
0.25	MRS-MRT 40	5	280	7.5	>3	MRA-MTA 71/70	252	5.5	343	0.9	
	MRS-MRT 40	7	200	10	>3	MRS-MRT 40 / 70	280	5.0	332	1.1	
	MRS-MRT 40	10	140	14	>3	MRS-MRT 40 / 85	420	3.3	488	1.2	
	MRS-MRT 40	15	93	20	2.2	MRS-MRT 40 / 85	560	2.5	622	1.0	
	MRS-MRT 40	20	70	26	1.5	MRS-MRT 50 / 110	1120	1.3	1046	1.2	
	MRS-MRT 40	28	50	32	1.5	MRS-MRT 50 / 110	1568	0.9	1306	1.1	
	MRS-MRT 40	40	35	42	1.0	0.55	MRS-MRT 40	5	280	16	2.8
	MRA-MTA 71/50	44	32	59	2.5		MRS-MRT 50	7	200	23	>3
	MRS-MRT 50	49	29	52	1.5		MRS-MRT 50	10	140	32	2.4
	MRS-MRT 50	56	25	57	1.3		MRS-MRT 50	15	93	44	1.7
	MRA-MTA 71/50	63	22	80	1.7		MRS-MRT 50	20	70	57	1.1
	MRS-MRT 50	70	20	63	1.0		MRS-MRT 50	28	50	75	1.1
	MRS-MRT 60	80	18	72	1.5		MRS-MRT 60	40	35	99	1.4
	MRA-MTA 71/50	95	95	109	1.2		MRA-MTA 80/60	44	32	130	1.7
	MRS-MRT 60	100	14	88	1.0		MRS-MRT 60	49	29	114	1.1
	MRA-MTA 71/60	126	11	144	1.6		MRS-MRT 60	56	25	126	1.0
	MRS-MRT 40 / 70	150	9.3	146	1.5		MRA-MTA 80/60	63	22	177	1.2
	MRA-MTA 71/60	176	8.0	171	1.4		MRS-MRT 70	70	20	155	1.1
	MRS-MRT 40 / 70	200	7.0	188	1.5		MRS-MRT 70	80	18	168	1.0
	MRA-MTA 71/70	252	5.5	232	1.3		MRA-MTA 80/60	95	15	249	1.0
MRS-MRT 40 / 70	280	5.0	224	1.5	MRS-MRT 85	100	14	210	1.0		
MRA-MTA 71/70	309	4.6	263	1.0	MRA-MTA 80/70	126	11	321	1.1		
MRA-MTA 71/70	353	4.0	277	0.9	MRA-MTA 80/85	176	8.0	396	1.3		
MRS-MRT 40 / 70	420	3.3	315	1.2	MRA-MTA 80/85	252	5.5	520	1.0		

Getriebe - Gearboxes - Riduttori RS-RT

$n_1 = 1400 \text{ rpm}$

Technische Daten - Technical data - Dati tecnici

P_1 [kW]	Tipo riduttore Gearbox type Getriebe Typ	i_n	n_2 [rpm]	M_2 [Nm]	SF	P_1 [kW]	Tipo riduttore Gearbox type Getriebe Typ	i_n	n_2 [rpm]	M_2 [Nm]	SF
0.55	MRA-MTA 80/110	309	4.6	614	1.8	1.1	MRA 110/150	448	3,0	1916	1,3
	MRA-MTA 80/110	353	4.0	689	1.4		MRA 110/150	560	2,5	2059	1,0
	MRS-MRT 50 / 110	420	3.3	756	1.1		MRA 110/150	640	2,2	2209	0,9
	MRA-MTA 80/110	441	3.2	794	1.2		MRS-MRT 70 / 150	784	1,8	2706	0,9
	MRA-MTA 80/110	504	2.8	851	0.9	1.5	MRS-MRT 60	5	280	46	2,7
	MRS-MRT 50 / 110	570	2.5	962	1.3		MRS-MRT 60	7	200	62	1,8
	MRS-MRT 50 / 110	784	1.8	1235	1.5		MRS-MRT 60	10	140	86	1,5
0.75	MRS-MRT 50	5	280	23	>3		MRS-MRT 60	15	93	124	1,0
	MRS-MRT 50	7	200	31	2.4		MRS-MRT 70	20	70	166	1,2
	MRS-MRT 50	10	140	43	1.7		MRS-MRT 70	28	50	215	1,0
	MRS-MRT 50	15	93	60	1.2		MRS-MRT 85	40	35	295	1,4
	MRS-MRT 60	20	70	79	1.5		MRA-MTA 80/85	44	32	360	1,4
	MRS-MRT 60	28	50	102	1.4		MRS-MRT 85	49	29	336	0,9
	MRS-MRT 60	40	35	135	1.0		MRS-MRT 110	49	29	356	1,8
	MRA-MTA 80/60	44	32	178	1.2		MRS-MRT 110	56	25	401	1,5
	MRS-MRT 70	49	29	168	1.1	MRA-MTA 80/85	63	22	496	1,1	
	MRS-MRT 70	56	25	183	1.0	MRS-MRT 110	70	20	480	1,3	
	MRA-MTA 80/60	63	22	242	1.0	MRS-MRT 110	80	18	540	1,0	
	MRS-MRT 85	70	20	226	1.3	MRA-MTA 80/110	95	15	719	1,6	
	MRS-MRT 85	80	18	246	1.1	MRS 130	100	14	624	1,2	
	MRA-MTA 80/70	126	11	341	0.9	MRA-MTA 80/110	126	11	915	1,2	
	MRA-MTA 80/85	176	8.0	540	0.9	MRA-MTA 80/110	176	8,0	1135	1,0	
	MRA-MTA 80/110	252	5.5	735	1.5	MRA100/130	200	7,0	1269	1,0	
	MRA-MTA 80/110	309	4.6	838	1.3	MRA100/130	224	6,3	1421	1,2	
	MRA-MTA 80/110	353	4.0	939	1.1	MRA100/150	280	5,0	1490	1,1	
	MRS-MRT 50 / 110	420	3.3	1031	1.2	MRA100/150	400	3,5	2292	1,1	
	MRA-MTA 80/110	441	3.2	1083	0.9	MRA110/150	448	3,0	2613	1,0	
MRS-MRT 50 / 110	570	2.5	1289	1.0	2.2	MRS-MRT 70	5	280	92	1,9	
1.1	MRS-MRT 60	5	280	34		>3	MRS-MRT 70	7	200	92	1,8
	MRS-MRT 60	7	200	45		2.5	MRS-MRT 70	10	140	129	1,4
	MRS-MRT 60	10	140	63		2.1	MRS-MRT 70	15	93	187	1,0
	MRS-MRT 60	15	93	91		1.4	MRS-MRT 85	20	70	246	1,3
	MRS-MRT 60	20	70	116		1.1	MRS-MRT 85	28	50	319	1,0
	MRS-MRT 70	28	50	158		1.4	MRS-MRT 110	40	35	438	1,6
	MRS-MRT 70	40	35	213		1.1	MRS-MRT 110	49	29	522	1,2
	MRA-MTA 80/70	44	32	264		1.1	MRS-MRT 110	56	25	588	1,0
	MRS-MRT 85	49	29	246		1.3	MRS-MRT 110	70	20	704	0,9
	MRS-MRT 85	56	25	286		1.1	MRS 130	80	18	756	1,1
	MRA-MTA 80/85	63	22	364		1.4	MRS 150	100	14	945	1,2
	MRS-MRT 110	70	20	352		1.8	MRA100/130	98	14	985	1,5
	MRS-MRT 110	80	18	396		1.3	MRA100/130	125	12	1369	1,3
	MRA-MTA 80/85	95	15	513		1.0	MRA100/130	140	10	1324	1,0
	MRS-MRT 110	100	14	458	1.0	MRA100/130	160	8,9	1729	1,0	
	MRA-MTA 80/110	126	11	671	1.6	MRA100/150	200	7,0	1861	1,1	
	MRA-MTA 80/110	176	8.0	832	1.4	MRA100/150	230	6,3	2175	1,2	
	MRA-MTA 80/110	252	5.5	1078	1.0	3.0	MRS-MRT 70	5	280	91	1,9
	MRA-MTA 80/110	309	4.6	1229	0.9		MRS-MRT 70	7	200	126	1,3
	MRA 110/130	400	3.5	1681	1.0		MRS-MRT 70	10	140	176	1,0
MRS-MRT 60 / 130	420	3.3	1576	1.3	MRS-MRT 85		15	93	255	1,1	

RS-RT Riduttori - Gearboxes - Getriebe

Dati tecnici - Technical data - Technische Daten

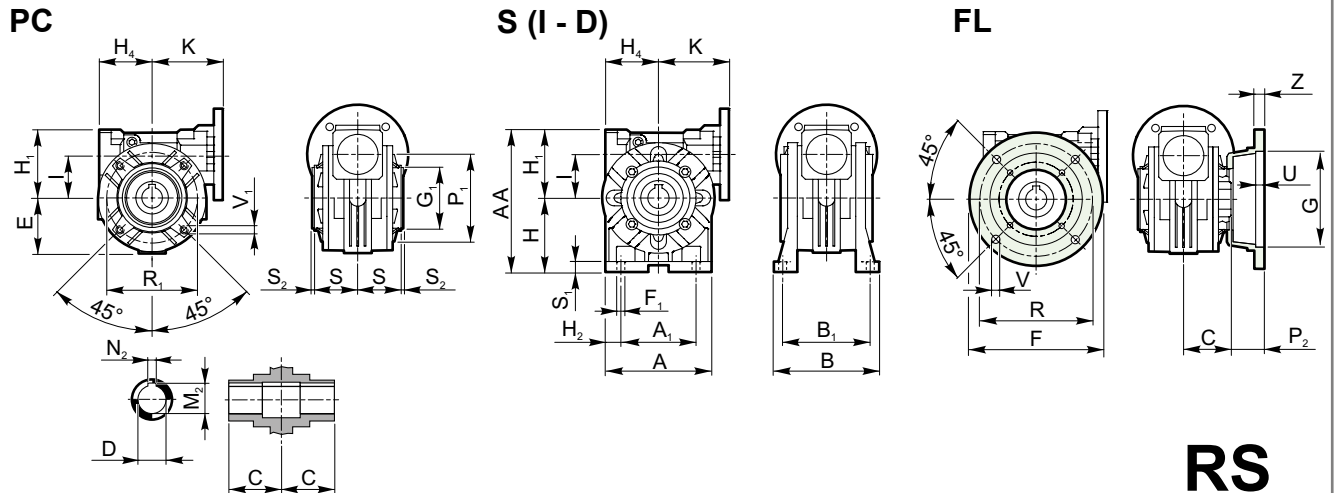
$n_1 = 1400$ rpm

P_1 [kW]	Tipo riduttore Gearbox type Getriebe Typ	i_n	n_2 [rpm]	M_2 [Nm]	SF
3.0	MRS-MRT 85	70	70	336	1.1
	MRS-MRT 110	50	50	435	1.5
	MRS-MRT 110	35	35	598	1.2
	MRS-MRT 110	29	29	712	0.9
	MRS 130	29	29	722	1.3
	MRS 130	25	25	814	1.2
	MRS 150	20	20	974	1.3
	MRA 100/130	20	20	1074	1.3
	MRS 150	18	18	1064	1.1
	MRA 100/130	18	18	1277	1.0
	MRA 100/130	14	14	1344	1.1
	MRS 150	14	14	1289	0.9
	MRA 100/130	12	12	1793	1.0
	MRA 100/150	10	10	1891	1.1
	MRA 100/150	8.9	8.9	2357	1.1
4.0	MRS-MRT 85	5	280	122	2.3
	MRS-MRT 85	7	200	168	1.5
	MRS-MRT 85	10	140	235	1.1
	MRS-MRT 110	15	93	344	1.6
	MRS-MRT 110	20	70	453	1.4
	MRS-MRT 110	28	50	581	1.1
	MRS 130	40	35	829	1.4
	MRS 130	49	29	963	1.0
	MRS 130	56	25	1085	0.9
	MRS 150	56	25	1115	1.3
	MRS 150	70	20	1299	0.9
	MRA 100/130	70	20	1433	0.9
	MRA 100/150	80	18	1724	0.9
	MRA 100/150	98	14	1845	1.2
	MRA 100/150	120	12	2456	0.9
5.5	MRS-MRT 110	7	200	231	2.3
	MRS-MRT 110	10	140	326	1.6
	MRS-MRT 110	15	93	473	1.2
	MRS-MRT 110	20	70	623	1.0
	MRS 130	28	50	809	1.4
	MRS 130	40	35	1141	1.0
	MRS 150	49	29	1342	1.1
	MRS 150	56	25	1534	0.9
7.5	MRS-MRT 110	7	200	315	1.7
	MRS-MRT 110	10	140	445	1.2
	MRS-MRT 110	15	93	645	0.9
	MRS 130	15	93	652	1.5
	MRS 130	20	70	860	1.1
	MRS 130	28	50	1103	1.0
	MRS 150	40	35	1576	1.1

P_1 [kW]	Tipo riduttore Gearbox type Getriebe Typ	i_n	n_2 [rpm]	M_2 [Nm]	SF
11.0	MRS 150	7	200	467	2.3
	MRS 150	10	140	660	1.9
	MRS 150	15	93	968	1.5
	MRS 150	20	70	1261	1.1
15.0	MRS 150	7	200	637	1.7
	MRS 150	10	140	900	1.4
	MRS 150	15	93	1320	1.1

Getriebe - Gearboxes - Riduttori RS-RT

Abmessungen - Dimensions - Dimensioni



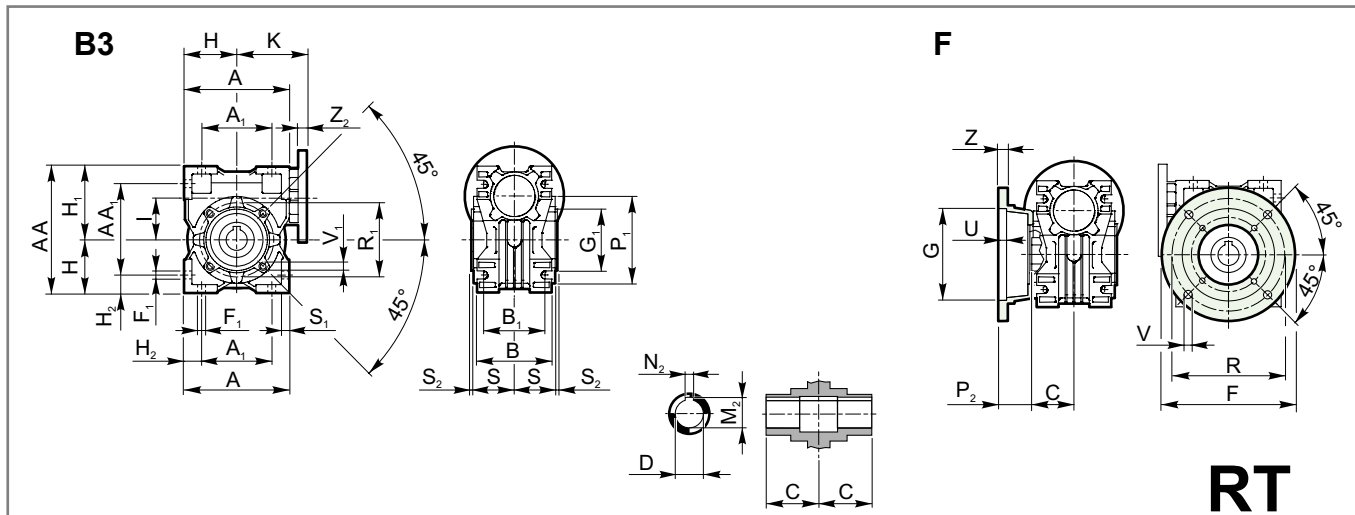
RS

RS [mm]	28	40	50	60	70	85	110	130	150
A	70	100	120	138	158	193	250	286	336
A₁	52	70	85	95	120	140	200	235	260
AA	99	138	163	192	221	252	333	400	454
B	78	102	119	136	140	168	200	230	250
B	66	84	99	111	116	140	162	190	210
C	30	41	49	60	60	61	77.5	90	105
D H7	14	19 - 18	24 - 25	25	28 - 30	32 - 35	42	48	55
E	34	50	61	70	80	98	125	143	168
F	70	140	160	180	200	200	250	300	350
F₁	5.5	7	9	11	11	13	14	15	19
G H8	40	95	110	115	130	130	180	230	250
G₁ H8	42	60	70	70	80	110	130	180	180
H	52	71	85	100	115	135	172	200	230
H₁	47	67	78	92	106	117	161	200	224
H₂	9	15	17.5	21.5	19	26.5	25	25.5	38
H₄	40	50	60	72	86	103	139	159	183
I	28	40	50	60	70	85	110	130	150
K	57.5	70.5	83 - 88*	93 - 94*	117 - 118*	134 - 137*	151 - 153*	165 - 166*	191 - 211*
M₂	16.3	21.8 - 20.8	27.3 - 28.3	28.3	31.3 - 33.3	35.3 - 38.3	45.3	51.8	59.3
N₂	5	6 - 6	8 - 8	8	8 - 8	10 - 10	12	14	16
P	49	82	91.5	116	111	100	150	150	160
P₁	67	94	100	102	118	150	200	234	250
P₂	19	41	42.5	56	51	39	72.5	60	55
R	56	115	130	150	165	165	215	265	300
R₁	56	83	85	85	100	130	165	215	215
S	32	38	49	57.5	57	56.5	74.5	87	102
S₁	6	9	12	12	14	15	17	19	20
S₂	3	2	2.5	2.5	3	3	2.5	5	5
U	4	6	10	10	12	6	5	5	6
V	6.5 (n°4)	9 (n°4)	9 (n°4)	11 (n°4)	13 (n°4)	13 (n°4)	15 (n°8)	15 (n°8)	19 (n°8)
V₁	M6x6 (n°4)	M6x9 (n°4)	M8x12 (n°4)	M8x15 (n°8)	M8x18 (n°8)	M10x20 (n°8)	M12x21 (n°8)	M12x24 (n°8)	M14x30 (n°8)
Z	6	10	10	11	14	14	16	18	20
kg	1.1	2.5	3.8	6.5	9	13.5	39	50	80

* - IEC71-B14 (RS50 - RS60) - IEC80-B14 (RS70) - IEC90-B14 (RS85) - IEC100/112-B14 (RS110 - RS130 - RS150)

RS-RT Riduttori - Gearboxes - Getriebe

Dimensioni - Dimensions - Abmessungen



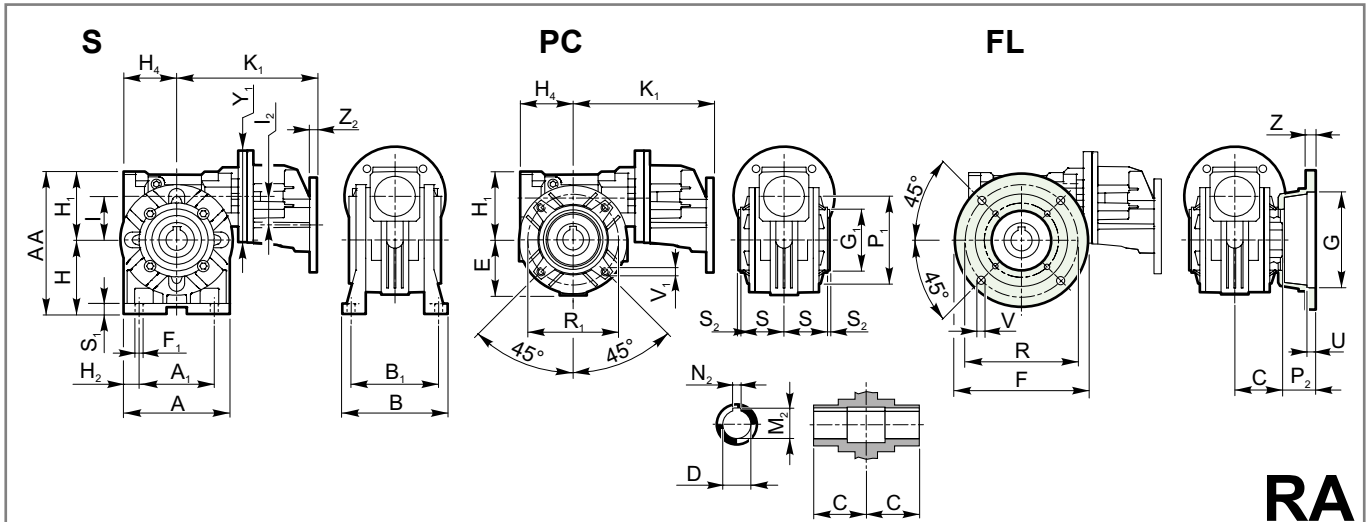
RT [mm]	28	40	50	60	70	85	110
A	80	100	120	144	172	206	255
A ₁	54	70	80	100	120	140	170
AA	97	121.5	144	174	205	238	295
AA ₁	71	91.5	104	130	153	172	210
B	53	71	85	100	112	130	144
B ₁	44	60	70	85	90	100	115
C	30	41	49	60	60	61	77.5
D H7	14	19 - 18	24 - 25	25	28 - 30	32 - 35	42
F	80	110	125	180	200	210	270
F ₁	7	7	9	9	11	13	15
G H8	50	60	70	115	130	152	170
G ₁ H8	55	60	70	80	95	110	130
H	40	50	60	72	86	103	127.5
H ₁	57	71.5	84	102	119	135	167.5
H ₂	13	15	20	22	26	33	42.5
I	28	40	50	60	70	85	110
K	57.5	70.5	83 - 88*	93 - 94*	117 - 118*	134 - 137*	151 - 153*
M ₂	16.3	21.8 - 20.8	27.3 - 28.3	28.3	31.3 - 33.3	35.3 - 38.3	45.3
N ₂	5	6 - 6	8 - 8	8	8 - 8	10 - 10	12
P	53	69	93	86	111	111	131
P ₁	75	86	100	110	130	160	200
P ₂	23	28	44	25	51	50	53.5
R	68	87	90	150.5	165	175	230
R ₁	65	75	85	95	115	130	165
S	27.5	38.5	46.5	57	57	67	74
S ₁	6	7	8	10	11	14	13
S ₂	2.5	2.5	3	3	3	3	3.5
U	10	4	5	6.5	12	6	5
V	7 (n° 4)	9 (n° 4)	11 (n° 4)	11 (n° 4)	13 (n° 4)	13 (n° 4)	14 (n° 8)
V ₁	M6x10 (n° 4)	M6x8.5 (n° 4)	M8x10 (n° 4)	M8x20 (n° 8)	M8x16 (n° 8)	M10x18 (n° 8)	M10x21 (n° 8)
Z	7	6	10	10	14	16	18
Z ₂	13	13	13	14 - 15*	15.5 - 17.5*	15.5 - 18.5*	18 - 20*
kg	1.1	2.5	3.8	6.5	9	13.5	39

* - IEC71-B14 (RT50 - RT60) - IEC80-B14 (RT7) - IEC90-B14 (RT85) - IEC100/112-B14 (RT110)

Getriebe - Gearboxes - Riduttori RA

con precoppia
 helical/worm
 mit Stirradvorstufe

Abmessungen - Dimensions - Dimensioni



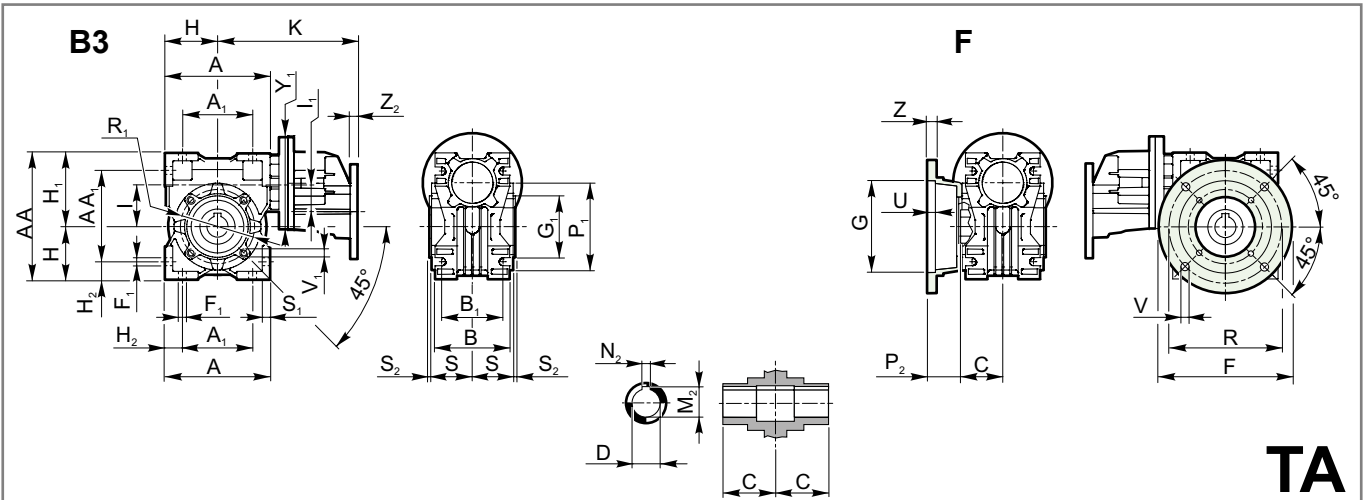
RA [mm]	63/40	63/50	63/60	71/50	71/60	71/70	71/85	80/60	80/70	80/85	80/110	100/110	100/130	100/150
A	100	120	138	120	138	158	193	138	158	193	250	250	286	336
A ₁	70	85	95	85	95	120	140	95	120	140	200	200	235	260
AA	138	163	192	163	192	221	252	192	221	252	333	333	400	454
B	102	119	136	119	136	140	168	136	140	168	200	200	230	250
B ₁	84	99	111	99	111	116	140	111	116	140	162	162	190	210
C	41	49	60	49	60	60	61	60	60	61	77.5	77.5	90	105
DH7	19-18	24-25	25	24-25	25	28-30	32-35	25	28-30	32-35	42	42	48	55
E	50	61	70	61	70	80	98	70	80	98	125	125	143	168
F	140	160	180	160	180	200	200	180	200	200	250	250	300	350
F ₁	7	9	11	9	11	11	13	11	11	13	14	14	15	19
GH8	95	110	115	110	115	130	130	115	130	130	180	180	230	250
G ₁ H8	60	70	70	70	70	80	110	70	80	110	130	130	180	180
H	71	85	100	85	100	115	135	100	115	135	172	172	200	230
H ₁	67	78	92	78	92	106	117	92	106	117	161	161	200	224
H ₂	15	17.5	21.5	17.5	21.5	19	26.5	21.5	19	26.5	25	25	25.5	38
H ₄	50	60	72	60	72	86	103	72	86	103	139	139	159	189
I	40	50	60	50	60	70	85	60	70	85	110	110	130	150
I ₂	32	32	32	40	40	40	40	50	50	50	50	63	63	63
K ₁	153.5	171	177	173-178*	183-188*	209-214*	224-229*	207	232.5	250.5	264.5	328	342	368
M ₂	21.8-20.8	27.3-28.3	28.3	27.3-28.3	28.3	31.3-33.3	35.3-38.3	28.3	31.3-33.3	35.3-38.3	45.3	45.3	51.8	59.3
N ₂	6	8	8	8	8	8	10	8	8	10	12	12	14	16
P ₁	94	100	102	100	102	118	150	102	118	150	200	200	234	250
P ₂	41	42.5	56	42.5	56	51	39	56	51	39	72.5	72.5	60	55
R	115	130	150	130	150	165	165	150	165	165	215	215	265	300
R ₁	83	85	85	85	85	100	130	85	100	130	165	165	215	215
S	38	49	57.5	49	57.5	57	56.5	57.5	57	56.5	74.5	74.5	87	102
S ₁	9	12	12	12	12	14	15	12	14	15	17	17	19	20
S ₂	2	2.5	2.5	2.5	2.5	3	3	2.5	3	3	2.5	2.5	5	5
U	6	10	10	10	10	12	6	10	12	6	5	5	5	6
V	9 (n° 4)	9 (n° 4)	11 (n° 4)	9 (n° 4)	11 (n° 4)	13 (n° 4)	13 (n° 4)	11 (n° 4)	13 (n° 4)	13 (n° 4)	15 (n° 8)	15 (n° 8)	15 (n° 8)	19 (n° 8)
V ₁	M6x9 (n° 4)	M8x12 (n° 4)	M8x15 (n° 8)	M8x12 (n° 4)	M8x15 (n° 8)	M8x18 (n° 8)	M10x20 (n° 8)	M8x15 (n° 8)	M8x18 (n° 8)	M10x20 (n° 8)	M12x21 (n° 8)	M12x21 (n° 8)	M12x24 (n° 8)	M14x30 (n° 8)
Y ₁	105	105	105	120	120	120	120	140	140	140	140	140	200	200
Z	10	10	11	10	11	14	14	11	14	14	16	16	22	20
Z ₂	13	13	13	13.5-18.5*	13.5-18.5*	13.5-18.5*	13.5-18.5*	15.5-17.5*	15.5-17.5*	15.5-17.5*	15.5-17.5*	15.5-18.5*	16.7-15.5*	16.7-15.5*

* - IEC71-B14 (FRA 71/....) - IEC100-B5 (FRA 100/130) - IEC100-B5 (FRA 100/150)

TA Riduttori - Gearboxes - Getriebe

con precoppia
helical/worm
mit Stirradvorstufe

Dimensioni - Dimensions - Abmessungen



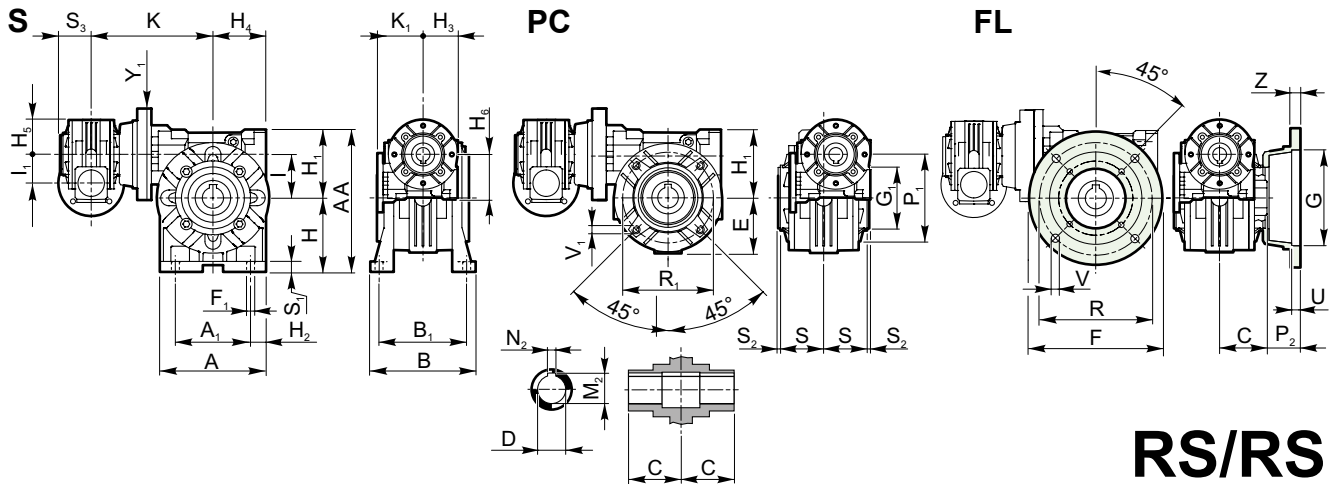
TA [mm]	63/40	63/50	63/60	71/50	71/60	71/70	71/85	80/60	80/70	80/85	80/110	100/110
A	100	120	144	120	144	172	206	144	172	206	255	255
A ₁	70	80	100	80	100	120	140	100	120	140	170	170
AA	121.5	144	174	144	174	205	238	174	205	238	295	295
AA ₁	91.5	104	130	104	130	153	172	130	153	172	210	210
B	71	85	100	85	100	112	130	100	112	130	144	144
B ₁	60	70	85	70	85	90	100	85	90	100	115	115
C	41	49	60	49	60	60	61	60	60	61	77.5	77.5
D H7	19-18	24-25	25	24-25	25	28-30	32-35	25	28-30	32-35	42	42
F	110	125	180	125	180	200	210	180	200	210	270	270
F ₁	7	9	9	9	9	11	13	9	11	13	15	15
G H8	60	70	115	70	115	130	152	115	130	152	170	170
G ₁ H8	60	70	80	70	80	95	110	80	95	110	130	130
H	50	60	72	60	72	86	103	72	86	103	127.5	127.5
H ₁	71.5	84	102	84	102	119	135	102	119	135	167.5	167.5
H ₂	15	20	22	20	22	26	33	22	26	33	42.5	42.5
I	40	50	60	50	60	70	85	60	70	85	110	110
I ₁	32	32	32	40	40	40	40	50	50	50	50	50
K	153.5	171	177	173-178*	183-188*	209-214*	224-229*	207	232.5	250.5	264.5	328
M ₂	21.8-20.8	27.3-28.3	28.3	27.3-28.3	28.3	31.3-33.3	35.3-38.3	28.3	31.3-33.3	35.3-38.3	45.3	45.3
N ₂	6	8	8	8	8	8	10	8	8	10	12	12
P ₁	86	100	110	100	110	130	160	110	130	160	200	200
P ₂	28	44	25	44	25	51	50	25	51	50	53.5	53.5
R	87	90	150.5	90	150.5	165	175	150.5	165	175	230	230
R ₁	75	85	95	85	95	115	130	95	115	130	165	165
S	38.5	46.5	57	46.5	57	57	67	57	57	67	74	74
S ₁	7	8	10	8	10	11	14	10	11	14	13	13
S ₂	2.5	3	3	3	3	3	3	3	3	3	3.5	3.5
U	4	5	6.5	5	6.5	12	6	6.5	12	6	5	5
V	9 (n° 4)	11 (n° 4)	11 (n° 4)	11 (n° 4)	11 (n° 4)	13 (n° 4)	13 (n° 4)	11 (n° 4)	13 (n° 4)	13 (n° 4)	14 (n° 4)	14 (n° 4)
V ₁	M6x8 (n° 4)	M8x10 (n° 4)	M8x16 (n° 8)	M8x10 (n° 4)	M8x16 (n° 8)	M8x16 (n° 8)	M10x18 (n° 8)	M8x16 (n° 8)	M8x16 (n° 8)	M10x18 (n° 8)	M10x21 (n° 8)	M10x21 (n° 8)
Y ₁	105	105	105	120	120	120	120	140	140	140	140	140
Z	6	10	10	10	10	14	16	10	14	16	18	18
Z ₂	13	13	13	13.5-18.5*	13.5-18.5*	13.5-18.5*	13.5-18.5*	15.5-17.5*	15.5-17.5*	15.5-17.5*	15.5-17.5*	15.5-18.5*

* - IEC71-B14 (FTA 71/....)

Getriebe - Gearboxes - Riduttori RS/RS

 combinati
 two-stage
 Doppelstufige

Abmessungen - Dimensions - Dimensioni



RS/RS

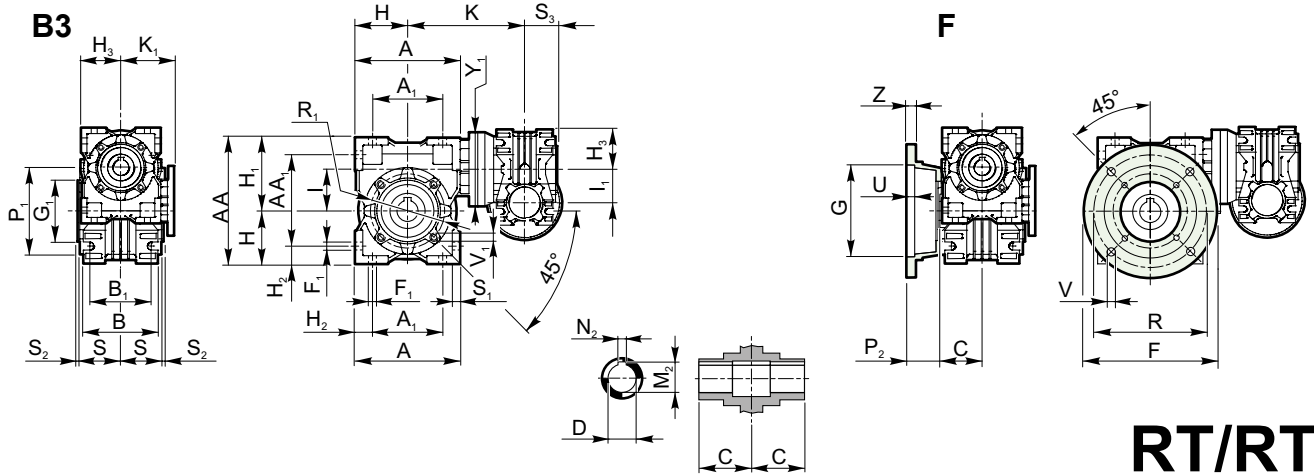
RS/RS [mm]	28/28	28/40	28/50	28/60	40/70	40/85	50/110	60/130	70/150
A	70	100	120	138	158	193	250	286	336
A ₁	52	70	85	95	120	140	200	235	260
AA	99	138	163	192	221	252	333	400	454
B	78	102	119	136	137-142	168	200	230	250
B ₁	66	84	99	111	116	140	162	190	210
C	30	41	49	60	60	61	77.5	90	105
D H7	14	19-18	24-25	25	28-30	32-35	42	48	55
F	70	140	160	180	200	200	250	300	350
F ₁	5.5	7	9	11	11	13	14	15	19
G H8	40	95	110	115	130	130	180	230	250
G ₁ H8	42	60	70	70	80	110	130	180	180
H	52	71	85	100	115	135	172	200	230
H ₁	47	67	78	92	106	117	161	200	224
H ₂	9	15	17.5	21.5	19	26.5	25	25.5	38
H ₃	40	40	40	40	50	50	60	72	86
H ₄	40	50	60	72	86	103	139	159	189
H ₅	34	34	34	34	50	50	61	70	80
H ₆	47	47	47	47	67	67	78	92	106
I	28	40	50	60	70	85	110	130	150
I ₁	28	28	28	28	40	40	50	60	70
K	99.5	123	138.5	146	182	199	246	246	300
K ₁	57.5	57.5	57.5	57.5	70.5	70.5	83 - 88*	9-94*	117-118*
M ₂	16.3	21.8-20.8	27.3-28.3	28.3	31.3-33.3	35.3-38.3	45.3	51.8	59.3
N ₂	5	6	8	8	8	10	12	14	16
P ₁	67	94	100	102	118	150	200	234	250
P ₂	19	41	42.5	56	51	39	72.5	60	55
R	56	115	130	150	165	165	215	265	300
R ₁	56	83	85	85	100	130	165	215	215
S	32	38	49	57.5	57	56.5	74.5	87	102
S ₁	6	9	12	12	14	15	17	19	20
S ₂	-3	2	2.5	2.5	3	3	2.5	5	5
S ₃	30	30	30	30	41	41	49	60	60
U	4	6	10	10	12	6	5	5	6
V	6.5 (n° 4)	9 (n° 4)	9 (n° 4)	11 (n° 4)	13 (n° 4)	13 (n° 4)	15 (n° 8)	15 (n° 8)	19 (n° 8)
V ₁	M6x6 (n° 4)	M6x9 (n° 4)	M8x12 (n° 4)	M8x15 (n° 8)	M8x18 (n° 8)	M10x20 (n° 8)	M12x21 (n° 8)	M12x24 (n° 8)	M14x30 (n° 8)
Y ₁	80	80	80	90	115	115	110	180	200
Z	6	10	10	11	14	14	16	22	20

* - IEC71-B14 (FRS50) - IEC71-B14 (FRS60) - IEC 80-B14 (FRS70)

RT/RT Riduttori - Gearboxes - Getriebe

combinati
two-stage
Doppelstufige

Dimensioni - Dimensions - Abmessungen



RT/RT

RT/RT [mm]	28/28	28/40	28/50	28/60	40/70	40/85	50/110
A	80	100	120	144	172	206	255
A ₁	54	70	80	100	120	140	170
AA	97	121,5	144	174	205	238	295
AA ₁	71	91,5	104	130	153	172	210
B	53	71	85	100	112	130	144
B ₁	44	60	70	85	90	100	115
C	30	41	49	60	60	61	77,5
D H7	14	19-18	24-25	25	28-30	32-35	42
F	80	110	125	180	200	210	270
F ₁	7	7	9	9	11	13	15
G H8	50	60	70	115	130	152	170
G ₁ H8	55	60	70	80	95	110	130
H	40	50	60	72	86	103	127,5
H ₁	57	71,5	84	102	119	135	167,5
H ₂	13	15	20	22	26	33	42,5
H ₃	40	40	40	40	50	50	60
I	28	40	50	60	70	85	110
I ₁	28	28	28	28	40	40	50
K	79,5	115,5	141	145,5	182	199	203
K ₁	57,5	57,5	57,5	57,5	70,5	70,5	83-88*
M ₂	16,3	21,8	27,3	28,3	31,3	35,3	45,3
N ₂	5	6	8	8	8	10	12
P ₁	75	86	100	110	130	160	200
P ₂	23	28	44	25	51	50	53,5
R	68	87	90	150,5	165	175	230
R ₁	65	75	85	95	115	130	165
S	27,5	38,5	46,5	57	57	67	74
S ₁	6	7	8	10	11	14	13
S ₂	2,5	2,5	3	3	3	3	3,5
S ₃	30	30	30	30	41	41	49
U	10	4	5	6,5	12	6	5
V	7 (n° 4)	9 (n° 4)	11 (n° 4)	11 (n° 4)	13 (n° 4)	13 (n° 4)	14 (n° 4)
V ₁	M6x10 (n° 4)	M6x8,5 (n° 4)	M8x10 (n° 4)	M8x16 (n° 8)	M8x16 (n° 8)	M10x18 (n° 8)	M10x21 (n° 8)
Y ₁	80	90	90	90	120	120	120
Z	7	6	10	10	14	16	18

* - IEC71-B14 (FRT50)

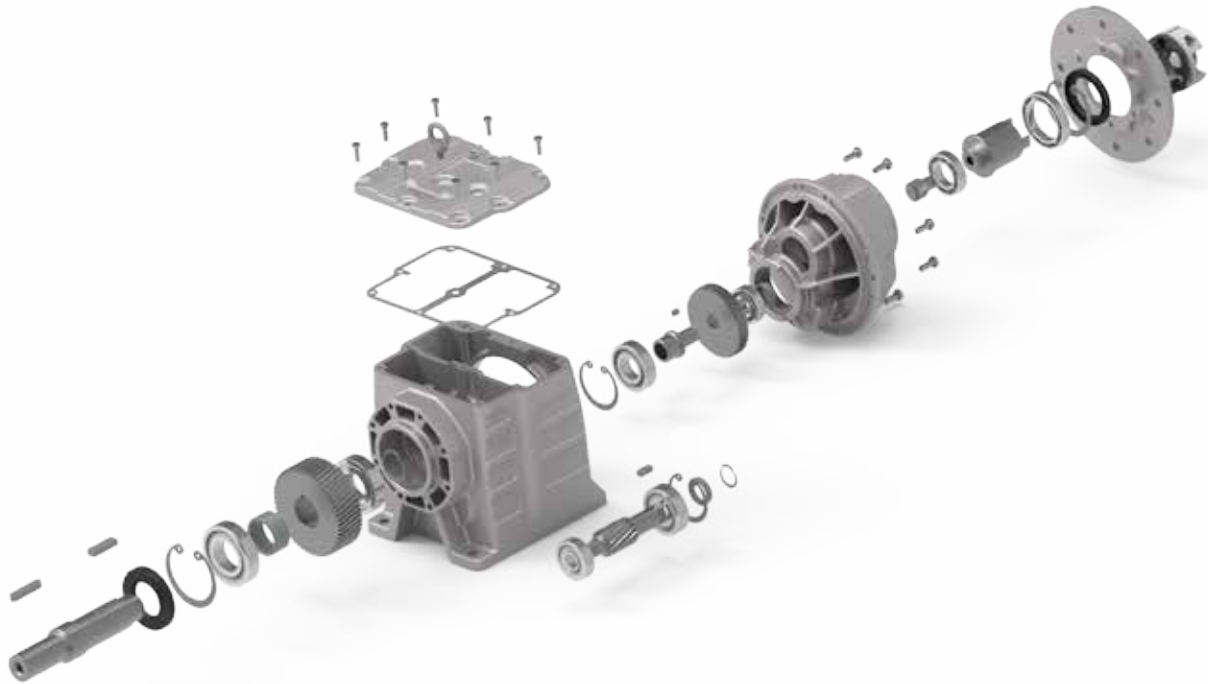
RD

**RIDUTTORI A INGRANAGGI
HELICAL GEARBOXES
STIRNRADGETRIEBE**



RD Riduttori - Gearboxes - Getriebe

Caratteristiche principali - Main features - Hauptmerkmale



Designazione - Designation - Bezeichnungen

F	RD	3	2	/B3	H	6.3	IEC71	B14	AU30	DFU200
M	RD	0	2	B3	H	2.25	56	B5		
F		1	3	B5	V	..	63	B14		
S		2				..	71			
..		3				..	80			
		4				..	90			
		5				630	100			
		6					112			
							132			

Flangia di uscita \varnothing - Output flange \varnothing - Ausgangsflansch \varnothing
 Albero di uscita \varnothing - Output shaft \varnothing - Ausgangswelle \varnothing
 Forma motore elettrico - Motor size - Motorbauforn
 Grandezza IEC motore elettrico - IEC motor size - IEC Motorbaugröße
 Rapporto di riduzione - Reduction ratio - Getriebeübersetzung
 Forma di montaggio riduttore - Gearbox mounting position- Einbaulage des Getriebes
 Forma costruttiva riduttore - Gearbox form - Bauform des Getriebes
 Numero coppie di riduzione - Number of reduction stages - Anzahl der Getrebestufen
 Grandezza del riduttore - Gearbox size - Getriebegröße
 Tipo di riduttore - Gearbox type - Getriebetyp

M = Motorriduttore - Geared Motor - Getriebemotor

F = Riduttore con flangia di entrata - Gearbox with input flange - Getriebe mit Eingangsflansch

S = Riduttore senza flangia di entrata - Gearbox without input flange - Getriebe ohne Eingangsflansch

.. = Riduttore con albero di entrata sporgente - Gearbox with input free shaft - Getriebe mit freie Eingangswelle

Getriebe - Gearboxes - Riduttori RD

$n_1 = 1400$ rpm

Technische Daten - Technical data - Dati tecnici

RD	0			1			2			3		
	i_n	n_2 [rpm]	P_1 [kW]	M_2 [Nm]	n_2 [rpm]	P_1 [kW]	M_2 [Nm]	n_2 [rpm]	P_1 [kW]	M_2 [Nm]	n_2 [rpm]	P_1 [kW]
2.5	545	1.8	30	560	2.5	45	560	5.0	85	560	10.5	190
3.15	427	1.8	33	445	2.2	45	445	4.4	90	445	9.2	205
4.0	329	1.3	36	350	1.8	50	350	3.8	100	350	7.9	220
5.0	265	1.1	38	280	1.6	55	280	3.1	105	280	6.6	235
6.3	234	1.2	48	220	2.1	90	220	4.1	175	220	9.3	370
8.0	175	1.0	49	175	1.7	90	175	3.4	180	175	7.6	370
10.0	135	0.8	50	140	1.3	90	140	2.7	180	140	6.2	375
12.5	100	0.8	50	110	1.1	90	110	2.2	180	110	4.9	380
16.0	86	0.5	61	90	0.9	90	90	1.8	185	90	3.7	390
20.0	65	0.4	51	70	0.7	90	70	1.4	190	70	3.2	390
25.0	52	0.3	52	55	0.6	95	55	1.1	190	55	2.5	395
31.5	46	0.3	52	45	0.5	95	45	1.0	190	45	1.7	400
40	40	0.2	35	35	0.3	70	35	0.5	140	35	1.1	285
50	33	0.1	35	30	0.2	70	30	0.4	140	30	0.9	285
63	---	---	---	22	0.2	70	22	0.3	140	22	0.7	285
40	37	0.2	52	35	0.4	95	35	0.8	200	35	1.7	420
50	30	0.2	52	30	0.3	95	30	0.6	200	30	1.3	420
63	23	0.1	52	22	0.2	95	22	0.5	200	22	1.0	420
80	18	0.1	52	18	0.2	100	18	0.4	200	18	0.9	420
100	15	0.1	52	14	0.2	100	14	0.3	200	14	0.7	425
125	11	0.1	52	11	0.1	100	11	0.3	200	11	0.5	425
160	9	0.1	52	9	0.1	100	9	0.2	200	9	0.4	425
180	8	0.05	52	---	---	---	---	---	---	---	---	---
200	7	0.03	36	7	0.1	100	7	0.2	200	7	0.3	425
250	5.5	0.02	36	5.5	0.1	100	5.5	0.1	200	5.5	0.3	430
280	5	0.02	36	---	---	---	---	---	---	---	---	---
315	4.3	0.02	36	4.5	0.1	100	4.5	0.1	200	4.5	0.2	430
400	---	---	---	3.5	0.03	70	3.5	0.1	140	3.5	0.1	290
500	---	---	---	2.8	0.02	70	2.8	0.04	140	2.8	0.1	290
630	---	---	---	2.2	0.02	70	2.2	0.04	140	2.2	0.1	290

due coppie di riduzione - two-stage reduction ratios - zweistufige

tre coppie di riduzione - three-stage reduction ratios - dreistufige

Rapporti fornibili a richiesta $i_n = 2.25 - 2.80 - 3.55 - 4.5 - 5.6 - 7.1 - 9.0$ tutte le grandezze, $i_n = 35.5$ solo per RD0
Ratios available on request $i_n = 2.25 - 2.80 - 3.55 - 4.5 - 5.6 - 7.1 - 9.0$ all sizes, $i_n = 35.5$ only RD0
Untersetzungen auf Anfrage $i_n = 2.25 - 2.80 - 3.55 - 4.5 - 5.6 - 7.1 - 9.0$ alle Größen, $i_n = 35.5$ nur RD0

RD Riduttori - Gearboxes - Getriebe

Dati tecnici - Technical data - Technische Daten

$n_1 = 1400$ rpm

RD	4			5			6			
	i_n	n_2 [rpm]	P_1 [kW]	M_2 [Nm]	n_2 [rpm]	P_1 [kW]	M_2 [Nm]	n_2 [rpm]	P_1 [kW]	M_2 [Nm]
2.5		560	17.7	300	560	34	630	560	70	1300
3.15		445	15.3	320	445	30	690	445	60	1400
4.0		350	14.2	380	350	29	750	350	58	1600
5.0		280	12.3	400	280	26.8	850	280	55.4	1800
6.3		220	15.2	620	220	27.4	1160	220	46.8	2000
8.0		175	12.3	620	175	21.8	1170	175	36.6	2000
10.0		140	9.8	620	140	18.1	1180	140	31.7	2100
12.5		110	8	620	110	14.8	1190	110	25.7	2100
16.0		90	6.6	650	90	11.8	1200	90	20.3	2100
20.0		70	5.7	650	70	9.1	1220	70	15.5	2100
25.0		55	4.2	650	55	7.2	1230	55	13.0	2100
31.5		45	3.5	650	45	6.0	1240	45	10.0	2220
40		35	1.5	450	35	3.2	850	35	6	1600
50		30	1.2	450	30	2.4	850	30	4.9	1600
63		22	1.1	450	22	1.9	850	22	4.3	1600
40		35	2.5	700	35	5.0	1270	35	8.6	2200
50		30	2.1	700	30	4.1	1280	30	7	2200
63		22	1.5	700	22	3.4	1290	22	5.5	2200
80		18	1.7	700	18	2.6	1300	18	4.4	2300
100		14	1.1	700	14	2.1	1300	14	3.7	2300
125		11	0.9	700	11	1.6	1300	11	3.4	2300
160		9	0.7	700	9	1.3	1300	9	2.8	2300
180		---	---	---	---	---	---	---	---	---
200		7	0.6	700	7	1.1	1300	7	1.8	2300
250		5.5	0.4	700	5.5	0.8	1300	5.5	1.4	2300
280		---	---	---	---	---	---	---	---	---
315		4.5	0.35	700	4.5	0.45	900	4.5	1.1	2300
400		3.5	0.22	460	3.5	0.35	900	3.5	1.6	2300
500		2.8	0.12	460	2.8	0.3	900	2.8	0.8	2300
630		2.2	0.11	460	2.2	0.25	900	2.2	0.7	2300

due coppie di riduzione - two-stage reduction ratios - zwei Stufen

tre coppie di riduzione - three-stage reduction ratios - drei Stufen

Rapporti fornibili a richiesta $i_n = 2.25 - 2.80 - 3.55 - 4.5 - 5.6 - 7.1 - 9.0$ tutte le grandezze, $i_n = 35.5$ solo per RD0

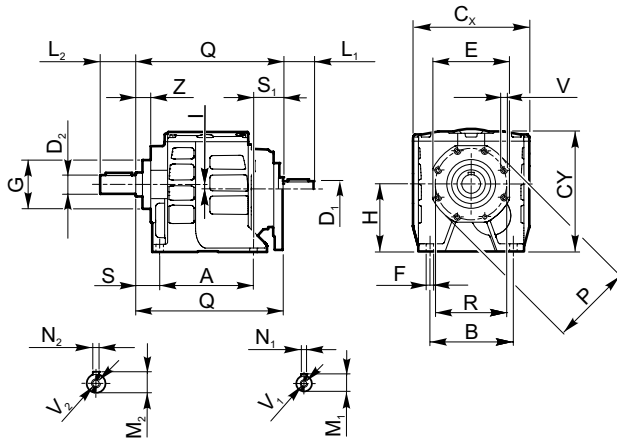
Ratios available on request $i_n = 2.25 - 2.80 - 3.55 - 4.5 - 5.6 - 7.1 - 9.0$ all sizes, $i_n = 35.5$ only RD0

Untersetzungen auf Anfrage $i_n = 2.25 - 2.80 - 3.55 - 4.5 - 5.6 - 7.1 - 9.0$ alle Größen, $i_n = 35.5$ nur RD0

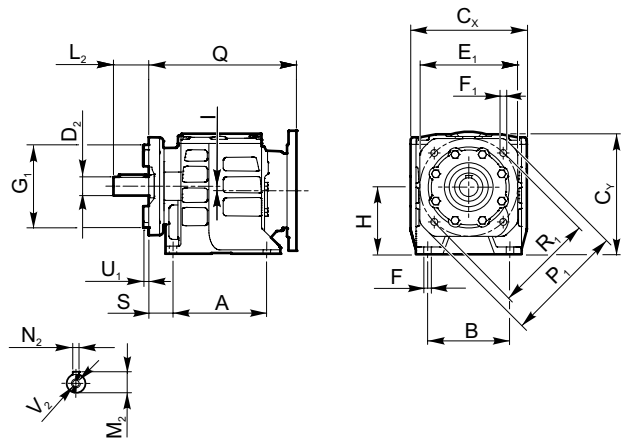
Getriebe - Gearboxes - Riduttori RD

Abmessungen - Dimensions - Dimensioni

B3



B5

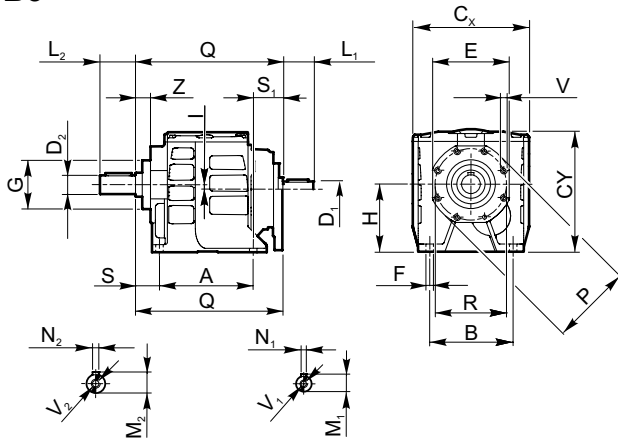


RD [mm]	02	03	12	13	22	23	32	33
A		95		110		130		165
B		80		110		110		135
C _x		100		140		155		190
C _y		111		131		158		198
D ₁ h6		11		14		19		24
D ₂ h6		17 - 20		20 - 25		25 - 30		30 - 35
E		82		82		102		125
E ₁		100 (115) [130]		100 (115) [130]		115 (130) [165]		130 (165) [215]
F		9		9		9		11.5
F ₁		7 (9) [9]		7 (9) [9]		9 (9) [11]		9 (11) [13]
G g6		60		60		65		85
G ₁ h7		80 (95) [110]		80 (95) [110]		95 (110) [130]		110 (130) [180]
H		60		75		90		115
I		4.5		5		6		8.5
L ₁		23		30		40		50
L ₂		35 (40)		40 (50)		50 (60)		60 (70)
M ₁		12.5		16		21.5		27
M ₂		19 - 22.5		22.5 - 28		28 - 33		33 - 38
N ₁		4		5		6		8
N ₂		5 - 6		6 - 8		8 - 8		8 - 10
P		84		84		108		130
P ₁		120 (140) [160]		120 (140) [160]		140 (160) [200]		160 (200) [250]
Q	140	143	151	161	190	208	220	253
R		75		75		95		115
R ₁		100 (115) [130]		100 (115) [130]		115 (130) [165]		130 (165) [215]
S		20		18		25		30
S ₁	25	28	23	33	35	53	25	58
U ₁		3 (3) [3]		3 (3) [3]		3 (3) [3]		3.5 (3.5) [3.5]
V		M6x14 (n° 7)		M6x14 (n° 7)		M6x10 (n° 8)		M8x18 (n° 8)
V ₁		M5x12		M5x12		M6x16		M8x19
V ₂		M6x16 - M6x16		M6x16 - M6x16		M6x16 - M10x22		M10x22 - M10x22
Z		13		10		13		13
Kg	3.0	3.2	4.8	4.8	7.9	8.5	13.5	14.5

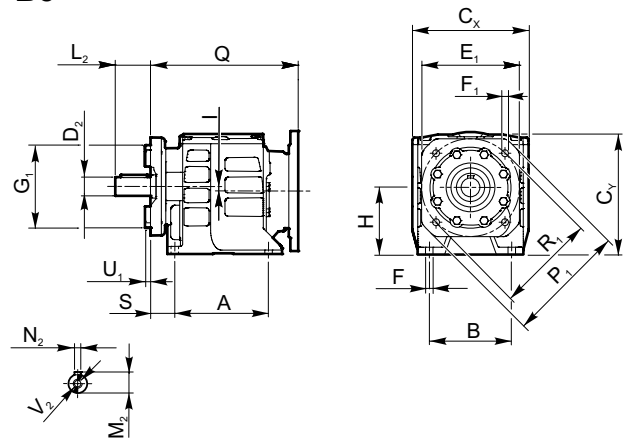
RD Riduttori - Gearboxes - Getriebe

Dimensioni - Dimensions - Abmessungen

B3



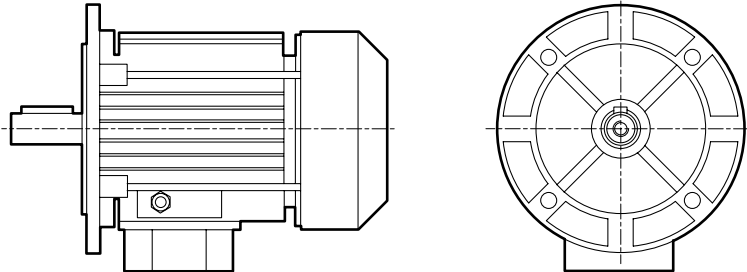
B5



RD [mm]	42	43	52	53	62	63
A		195		205		260
B		150		170		215
C _x		215		284		340
C _y		222		255		302
D ₁ h6		28		38		48
D ₂ h6		35 - 40		40 - 50		50 - 60
E		142		180		180
E ₁		165 (215) [265]		215 (265) [300]		215 (265) [300]
F		13.5		18		18
F ₁		11 (13.5) [17]		13.5 (17.5) [17.5]		13.5 (17.5) [17.5]
G g6		95		130		130
G ₁ h7		130 (180) [230]		180 (230) [250]		180 (230) [250]
H		130		140		180
I		13.5		0		0
L ₁		60		80		100
L ₂		70 (80)		80 (100)		100 (120)
M ₁		31		41		51.5
M ₂		38 - 43		43 - 53.5		53.5 - 64
N ₁		8		10		14
N ₂		10 - 12		12 - 14		14 - 18
P		145		190		190
P ₁		200 (250) [300]		250 (300) [350]		250 (300) [350]
Q	265	305		353 [367]		410 [424]
R		130		165		165
R ₁		165 (215) [265]		215 (265) [300]		215 (265) [300]
S		30		35 [49]		40 (54)
S ₁	40	80		82		79
U ₁		4 (4) [4]		4 (4) [4]		4 (4) [4]
V		M8x18 (n° 8)		M10x25 (n° 8)		M10x25 (n° 8)
V ₁		M10x22		M12x28		M16x36
V ₂		M10x22 - M12x28		M12x28 - M16x36		M16x36 - M20x42
Z		15		18		18
Kg	20	21.5	49	52	62	70

Motoren - Motors - Motori

Bezeichnungen - Designation - Designazione

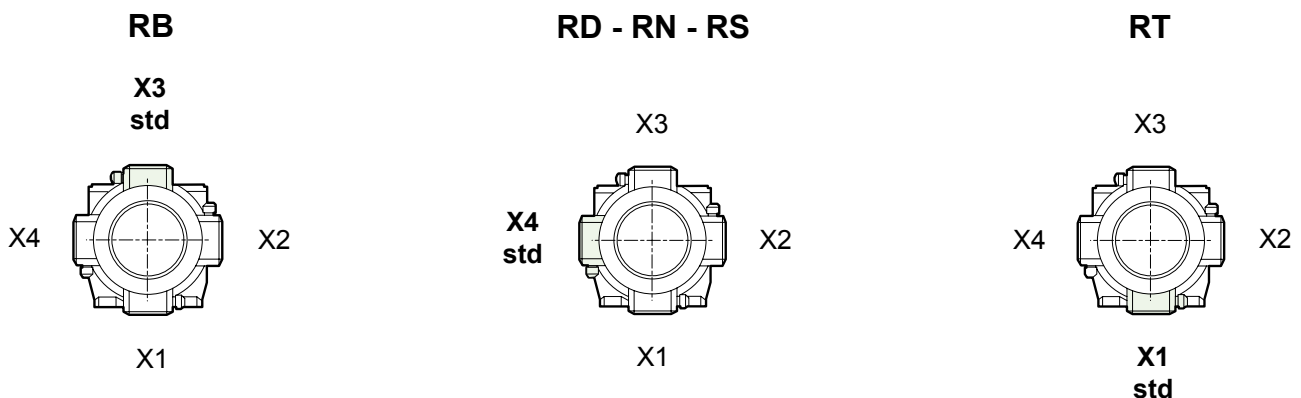


Motore - Motor - Motor RB - RD - RN - RS - RT

MT	0.37 kW	71	4	B14	230/400/50	IP55	F	X4
MT	0.06	56		B5				X1
MM		B14				X2
MA						X3
						X4
	15	160						

Posizione morsettiera - Terminal box position - Klemmkastenposition
 Classe d'isolamento - Insulation class - Isolationsklasse
 Class F (std)
 Grado di protezione - Protection class - Schutzart IP55 (std)
 Tensione/frequenza - Voltage/frequency - Spannung/Frequenz
 Forma costruttiva - Mounting form - Bauform
 Numero poli - Number of poles - Polzahl
 Grandezza IEC motore - IEC motor frame - IEC Motorbaugröße
 Potenza motore - Motor power - Motorleistung
 MT = Motore trifase - Three-phase motor - Dreiphasenmotor
 MM = Motore monofase - Single-phase motor - Einphasenmotor
 MA = Motore autofrenante - Brake motor - Bremsmotor

Posizione morsettiera - Terminal position - Klemmenkastenlage position



Giunto elastico - Elastic coupling - Elastische Kupplung

Giunto elastico "G" - Elastic coupling "G" - Elastische Kupplung "G"

L'utilizzo del **giunto elastico "G"** in sostituzione al tradizionale accoppiamento albero/linguetta tra motore e riduttore, introduce molteplici vantaggi mantenendo invariato l'ingombro complessivo del riduttore stesso.

Vantaggi

- Un solo riduttore per rapporto
- Maggiore flessibilità
- Rotazione stock aumentata
- Eliminazione dell'ossidazione per sfregamento (tribocorrosione)
- Gioco "zero" nel collegamento
- Disallineamento angolare 1° max
- Rigidità torsionale
- Smorzamento vibrazioni

The introduction of **flexible coupling "G type"** as replacement of traditional shaft/key fitting between motor and gearbox, gives various advantages but keeping unchanged gearbox overall dimensions.

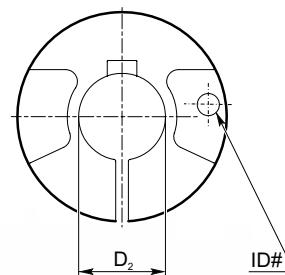
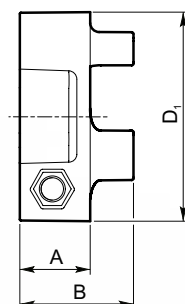
Advantages

- One gearbox only for each ratio
- Greater flexibility
- Increased stock rotation
- Fretting corrosion elimination
- Coupling zero backlash
- Angular misalignment 1deg. max.
- Torsional rigidity
- Vibration damping

Die Einführung der **flexiblen Kupplung "G-Typ"** als Ersatz zur traditionellen Welle/Passfeder Montage zwischen Motor und Getriebe, hat verschiedene Vorteile, bei unveränderten Abmessungen des Getriebe.

Vorzüge

- nur eine Getriebekomponente je Übersetzung
- gesteigerte Flexibilität
- höherer Lagerumschlag
- Vermeidung von Passungsrost
- spielfrei Verbindung
- Winkelausgleich bis 1°
- Verdrehsteifigkeit
- Dämpfung von Schwingungen



Giunto Coupling Kupplung	IEC	Codice kit Kit code Kit Code	RD	RS-RT	RP	M _t [Nm]	M _{t1} [Nm]	M _{t2} [Nm]	A [mm]	B [mm]	D ₁ [mm]	D ₂ [mm]	ID#
G3	IEC	KG3.009	03	28-40	---	4.5 - 6	15	8 - 10	11	19	30	9	309
		KG3.011	03	28-40	---	4.5 - 6	15	8 - 10			30	11	311
		KG3.014	03	40	---	7 - 8.5	28	18 - 22			36	14	314
G5	IEC	KG5.009	02-12-13-23	---	---	8.9 - 10	14	8 - 10	14.5	23	45	9	509
		KG5.011	02-12-13-23	50-60	---		15	8 - 10			45	11	511
		KG5.014	02-12-13-23	50-60	90		30	12 - 17			45	14	514
		KG5.019	02-12-23	50-60	90		40	20 - 25			45	19	519
		KG5.024	12-23	60	90		70	30 - 40			52	24	524
G6	IEC	KG6.014	22-32-33-42-43	70	---	15.3 - 18	60	30 - 40	19.5	31.5	58	14	614
		KG6.019	22-32-33-42-43	70-85-110	---		90	50 - 65			19	619	
		KG6.024	22-32-33-42-43	70-85-110	---		130	85 - 100			24	624	
		KG6.028	22-32-42	70-85-110	---		180	100 - 120			28	628	
*GS8	IEC	* KGS8.19	52-53-62-63	---	---	15	150	---	35	51	79	19	819
		* KGS8.24	52-53-62-63	---	---		250	---			24	824	
		* KGS8.28	52-53-62-63	---	---		350	---			28	828	
		* KGS8.38	52-62-63	---	---		500	---			38	838	
		* KGS8.42	52-62	---	---		500	---			42	842	
		* KGS8.48	52-62	---	---		500	---			48	848	

ARGENTINA
AUSTRALIA
AUSTRIA
BELARUS
BELGIUM
BRAZIL
BULGARIA
CANADA
CHILE
CHINA
COLOMBIA
COSTA RICA
CROATIA
CYPRUS
CZECH REPUBLIC
DENMARK
ECUADOR
EGYPT
ESTONIA
FINLAND
FRANCE
GERMANY
GREECE
HOLLAND
HONG KONG
HUNGARY
ICELAND
INDIA • Branch
INDONESIA
IRAN
IRELAND
ISRAEL
ITALY • Headquarters
KENYA
KOREA (SOUTH)
LEBANON
LIBYA
LITHUANIA
MALAYSIA
MAURITIUS
MEXICO
MOROCCO
NEW ZEALAND
NORWAY
PAKISTAN
PARAGUAY
PERU
POLAND
PORTUGAL
ROMANIA
RUSSIA
SAUDI ARABIA
SERBIA
SINGAPORE
SLOVAKIA
SLOVENIA
SOUTH AFRICA
SPAIN
SWEDEN
SWITZERLAND
TAIWAN
THAILAND
TUNISIA
TURKEY
UKRAINE
UNITED ARAB EMIRATES
UNITED KINGDOM
URUGUAY
USA • Branch
VIETNAM



India Branch:

MGM-VARVEL Power Transmission Pvt Ltd
Warehouse N. G3 and G4 ▪ Ground Floor
Indus Valley's Logistic Park ▪ Unit 3
Mel Ayanambakkam ▪ Vellala Street
Chennai - 600 095 ▪ Tamil Nadu, INDIA
info@mgmvarvelindia.com
www.mgmvarvelindia.com

USA Branch:

VARVEL USA LLC
2815 Colonnades Court
Peachtree Corners, GA 30071 ▪ USA
☎ 770-217-4567
☎ 770-255-1978
info@varvelusa.com
www.varvelusa.com



VARVEL®

MOTION CONTROL SINCE 1955

technology made in Italy



VARVEL SpA

Via 2 Agosto 1980, 9 ▪ Loc. Crespellano
40053 Valsamoggia (BO) ▪ Italy

☎ +39 051 6721811

☎ +39 051 6721825

varvel@varvel.com

www.varvel.com